



TS4-A-O

Module-level optimization, monitoring, and rapid shutdown

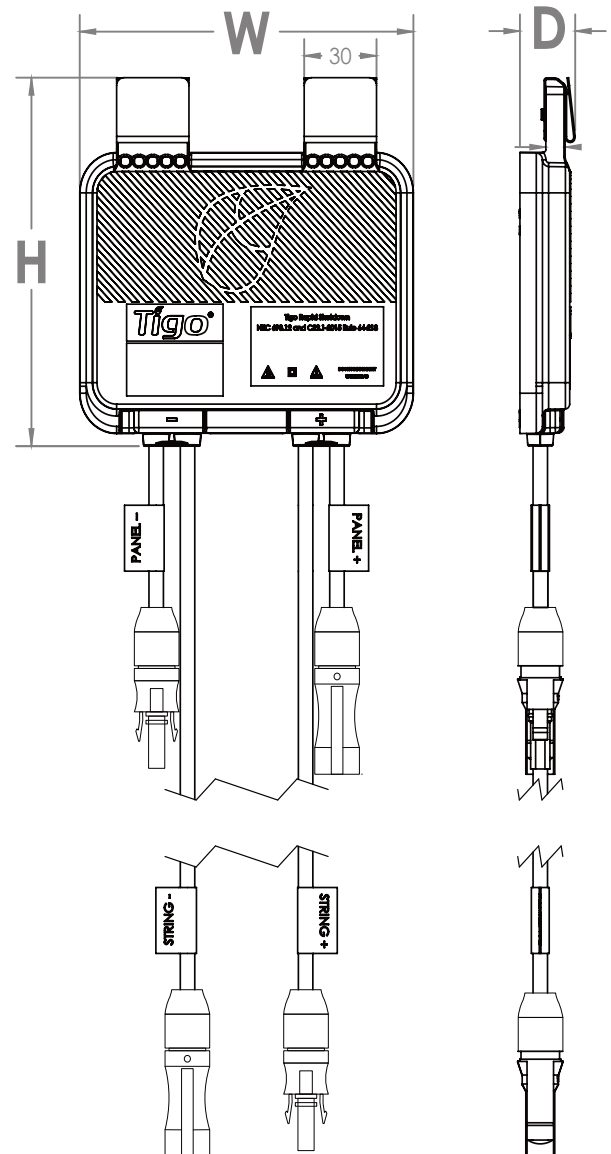
The Tigo TS4-A-O improves production, safety, and intelligence in new designs and existing systems. Patented technology delivers top performance with high efficiency for a fast ROI. Easy installation and long-term reliability reduce system downtime and truck rolls, while Tigo’s Energy Intelligence platform enables quicker onsite commissioning and comprehensive remote monitoring.

Features

- Simple, fast installation – snap to a standard PV module frame or mount to racking
- Intelligent optimization – optimizes only when needed
- Module-level monitoring – full visibility into module- and system-level production
- Rapid shutdown – a UL/NEC-certified component for photovoltaic rapid shutdown systems (PVRSS) worldwide
- Works with any system – fully compatible with thousands of different inverter models from more than 50 inverter brands
- 25-year warranty
- Monitoring, rapid shutdown, and remote troubleshooting with TAP and CCA

Quick Specs

Height/width/depth	139.7 x 138.4 x 22.9 mm (5.5 x 5.4 x 0.9 in)
Weight	520 g (1.15 lbs)
Operating temperature range	UL: -30 – 75°C (-22 – 167°F) IEC: -40 – 85°C (-40W – 185°F)
Maximum elevation	2000 m (6560 ft)
Maximum current (I _{MP})	15 A
Maximum power	700 W



Electrical

Maximum input voltage (V_{OC} at lowest temperature)	80 V
Input voltage range	16 – 80 V ¹
Maximum input current (I_{MP})	15 A
Maximum power	700 W
Recommended fuse rating	20 A
Conductor AWG	12
Rapid shutdown time limit	≤30 s
PVRSE controlled conductors	≤240VA, ≤8A, ≤30V _{DC}

Operational Output (connected to inverter)

Maximum output current	$I_{DCU\ MAX}$
Maximum output voltage	$V_{DCU\ MAX}$

Connections

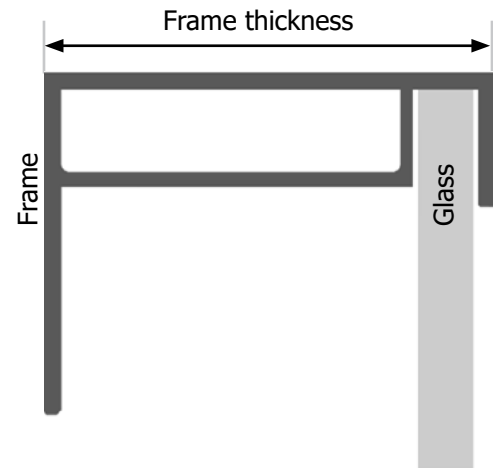
Input (from module) cable length	0.12/0.62/1.2 m
Output (to string) cable length	1.2/2 m
Connectors	MC4 or EVO2

Environmental

Operating temperature range	UL: -30 – 75°C (-22 – 167°F) IEC: -40 – 85°C (-40 – 185°F)
Storage temperature range	-40 – 85°C (-40 – 185°F)
Outdoor protection rating	IP68, NEMA 3R
Relative humidity	0 – 100%

¹ $V_{MOD\ MAX}$ of the connected panel = TS4-A-O $V_{DCU\ MAX}$

Module Mounting



If frame thickness is ≤35mm (1.4in), install with the TS4 label facing the PV module.

Ordering Information

461-00252-32	TS4-A-O, 15A, 700W, 1500V UL/1000V IEC, 0.12/1.2m cables, MC4
461-00252-62	TS4-A-O, 15A, 700W, 1500V UL/1000V IEC, 0.62/1.2m cables, MC4
461-00261-32	TS4-A-O, 15A, 700W, 1500V UL/IEC, 0.12/1.2m cables, EVO2
461-00261-62	TS4-A-O, 15A, 700W, 1500V UL/IEC, 0.62/1.2m cables, EVO2
462-00252-20	TS4-A-O, 15A, 700W, 1500V UL/IEC, 1.2/2m cables, MC4 or EVO2
462-00252-32	TS4-A-O, 15A, 700W, 1000V IEC, 0.12/1.2m cables, MC4
462-00252-62	TS4-A-O, 15A, 700W, 1000V IEC, 0.62/1.2m cables, MC4
462-00261-32	TS4-A-O, 15A, 700W, 1500V IEC, 0.12/1.2m cables, EVO2
462-00261-62	TS4-A-O, 15A, 700W, 1500V IEC, 0.62/1.2m cables, EVO2

Resources

