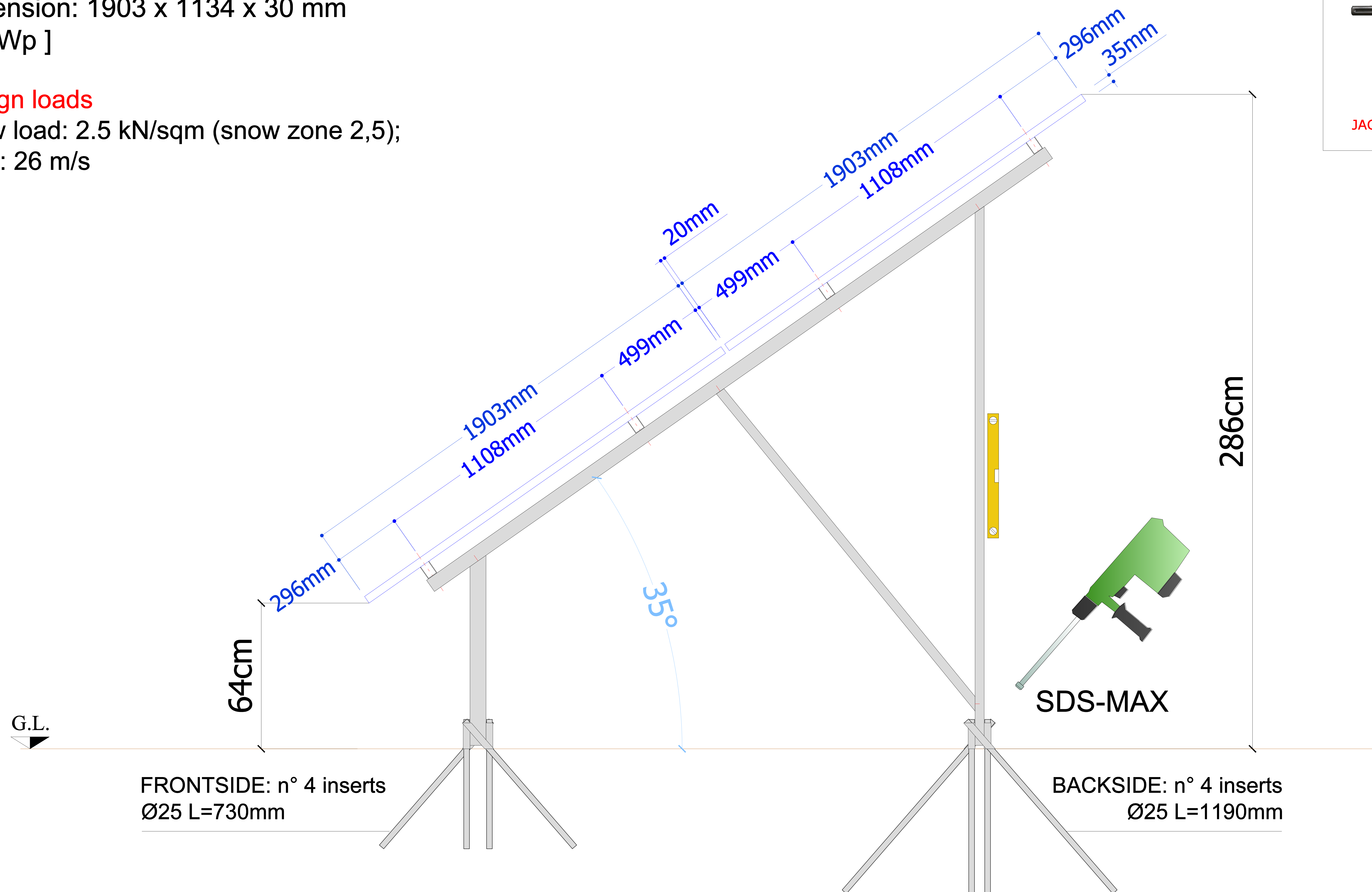


Dimension: 1903 x 1134 x 30 mm
[460Wp]

Design loads

snow load: 2.5 kN/sqm (snow zone 2,5);
wind: 26 m/s

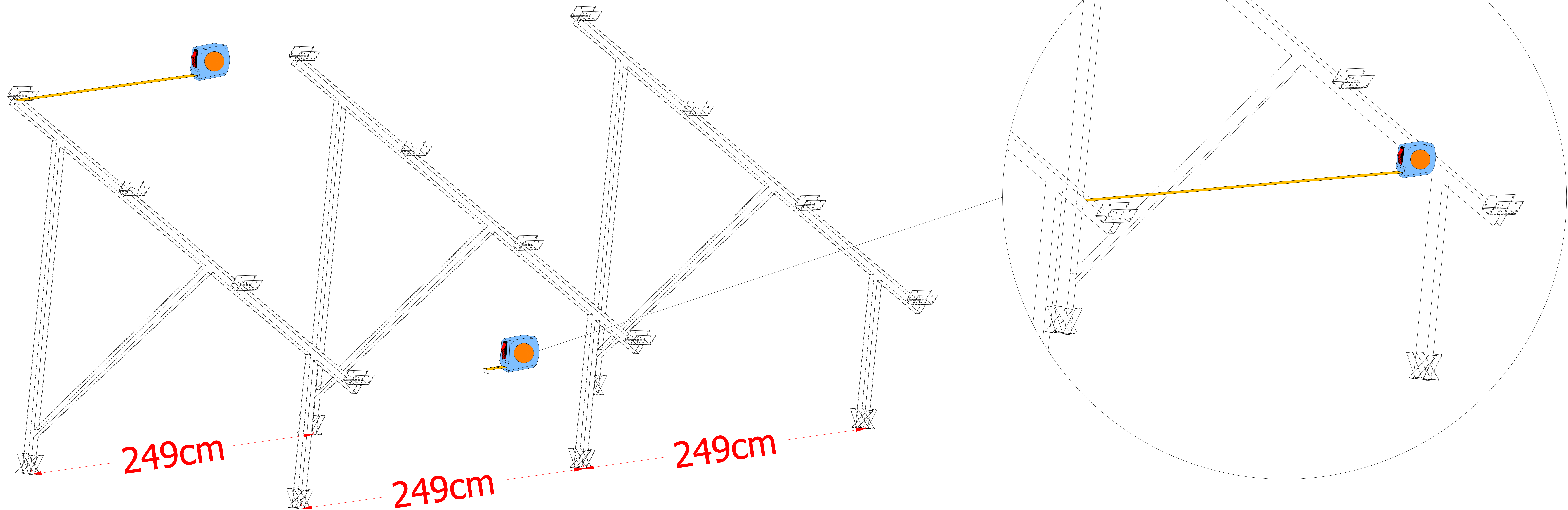


Driving-in the inserts to the ground through guides placed at the base of the frames, using a jack-hammer with SDS-MAX tool tip or a common hammer, only when all the structure is installed and it has checked that the spirit level giving the transverse orientation of the structure indicates the horizontal.

	NAME	DATE		
DRAWN	F.M	19/07/2023	Solelgrossisten Stock	
CHECKED				
			TITLE	
			"Tree System" Anchoring.	
SIZE		DWG N°:	1	REV
SCALE:	WEIGHT:	SHEET		



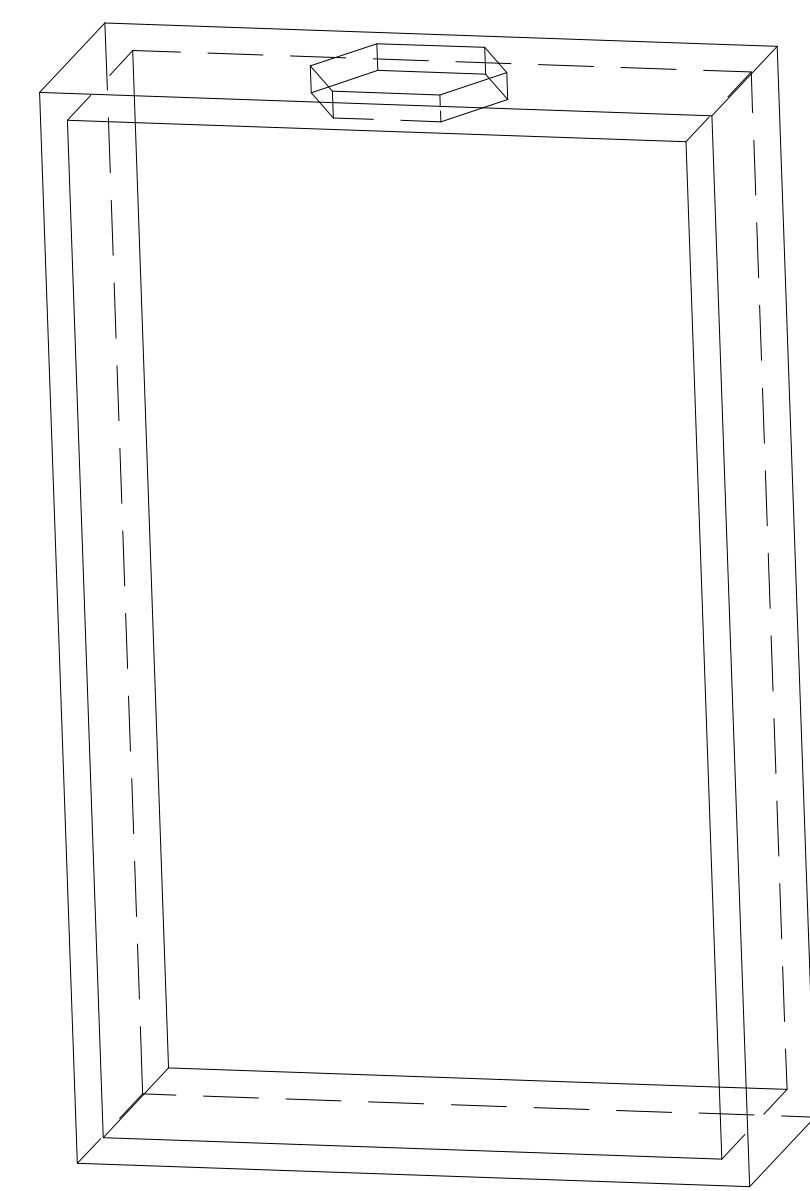
TreeSystem s.r.l.
Via Moraro n°22, 35020, Pozzonovo (PD)
Tel/fax +390429773082



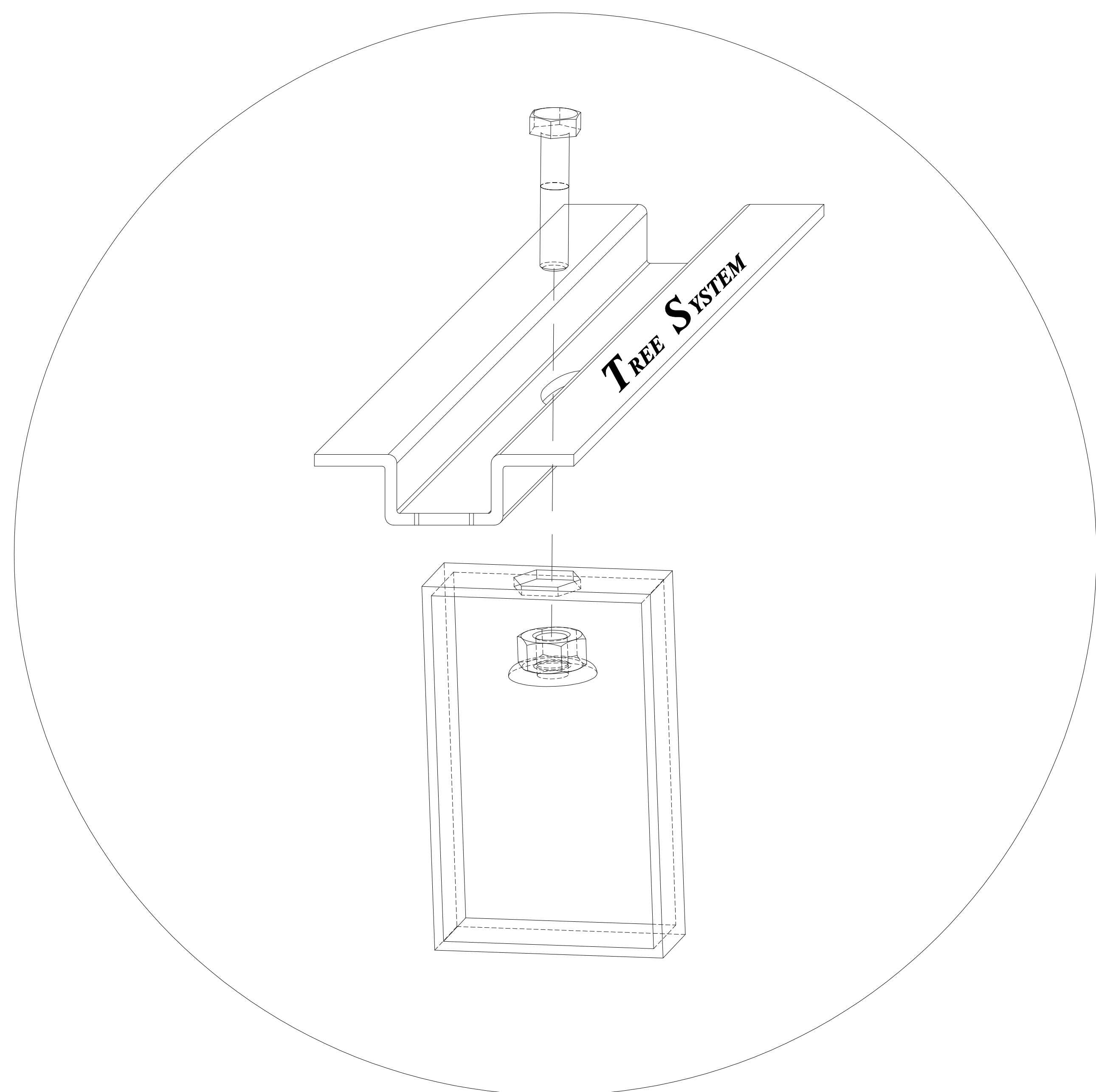
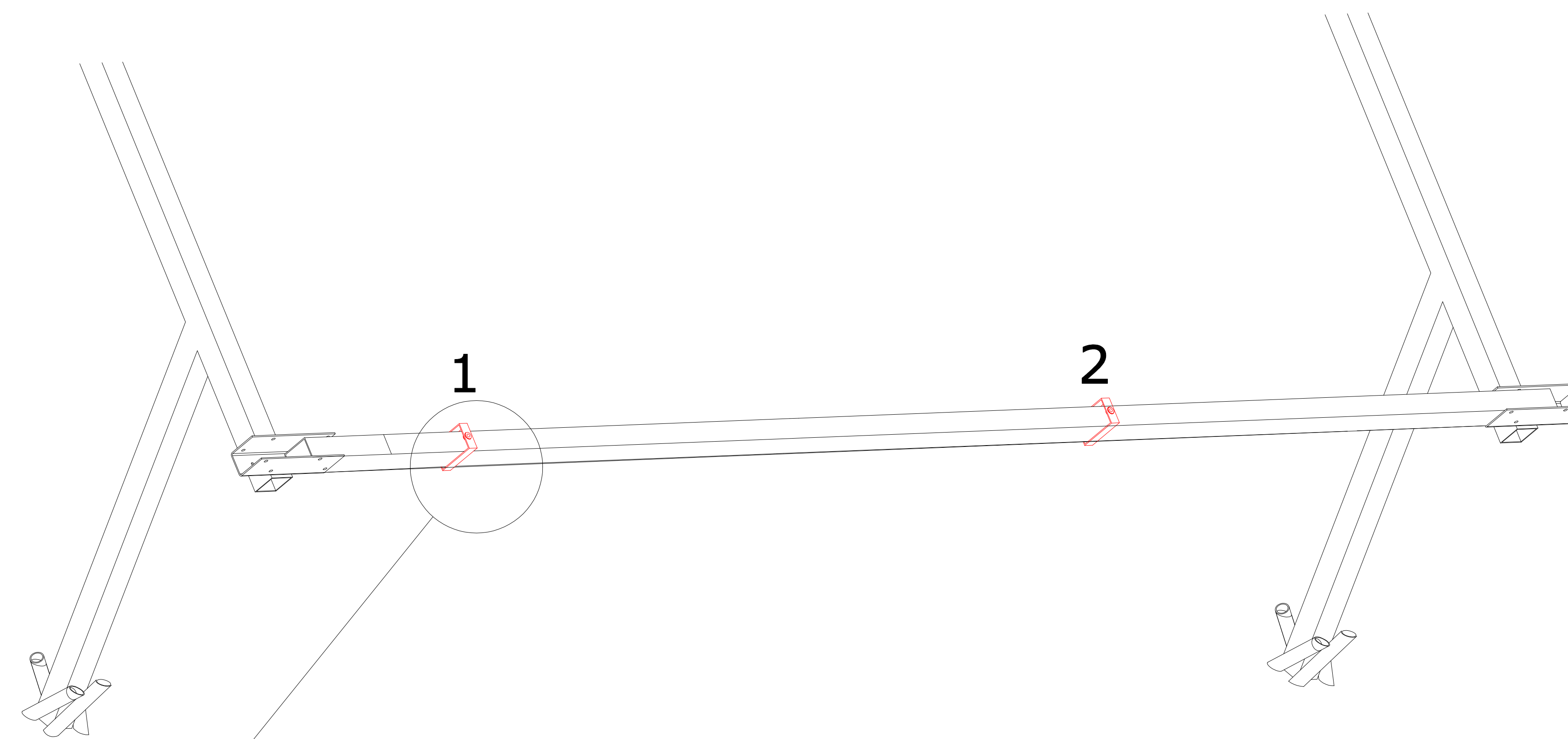
To find the exact spacing between the frames (249cm) you can use two tape-measures placed one on the front side and the other one on the back side of the frames. To plot the alignment of the rack, just place a picket at the beginning and end of each one, positioned on the back side of the frame (at the bottom of the back pillar) and pull a builder line that will determine the correct alignment.

	NAME	DATE	Solelgrossisten Stock		
DRAWN	F.M	19/07/2023			
CHECKED			TITLE Spacing between the frameworks.		
 TreeSystem s.r.l. Via Moraro n°22, 35020, Pozzonovo (PD) Tel/fax +390429773082			SIZE	DWG N°:	REV
			SCALE:	WEIGHT:	SHEET


2



Collar



The "collars" to fix the modules must be inserted before fixing the horizontal beams to the frames: you have to insert **no. 2** collars for each span, while for the cantilevers it's sufficient **1** collar, as shown below.

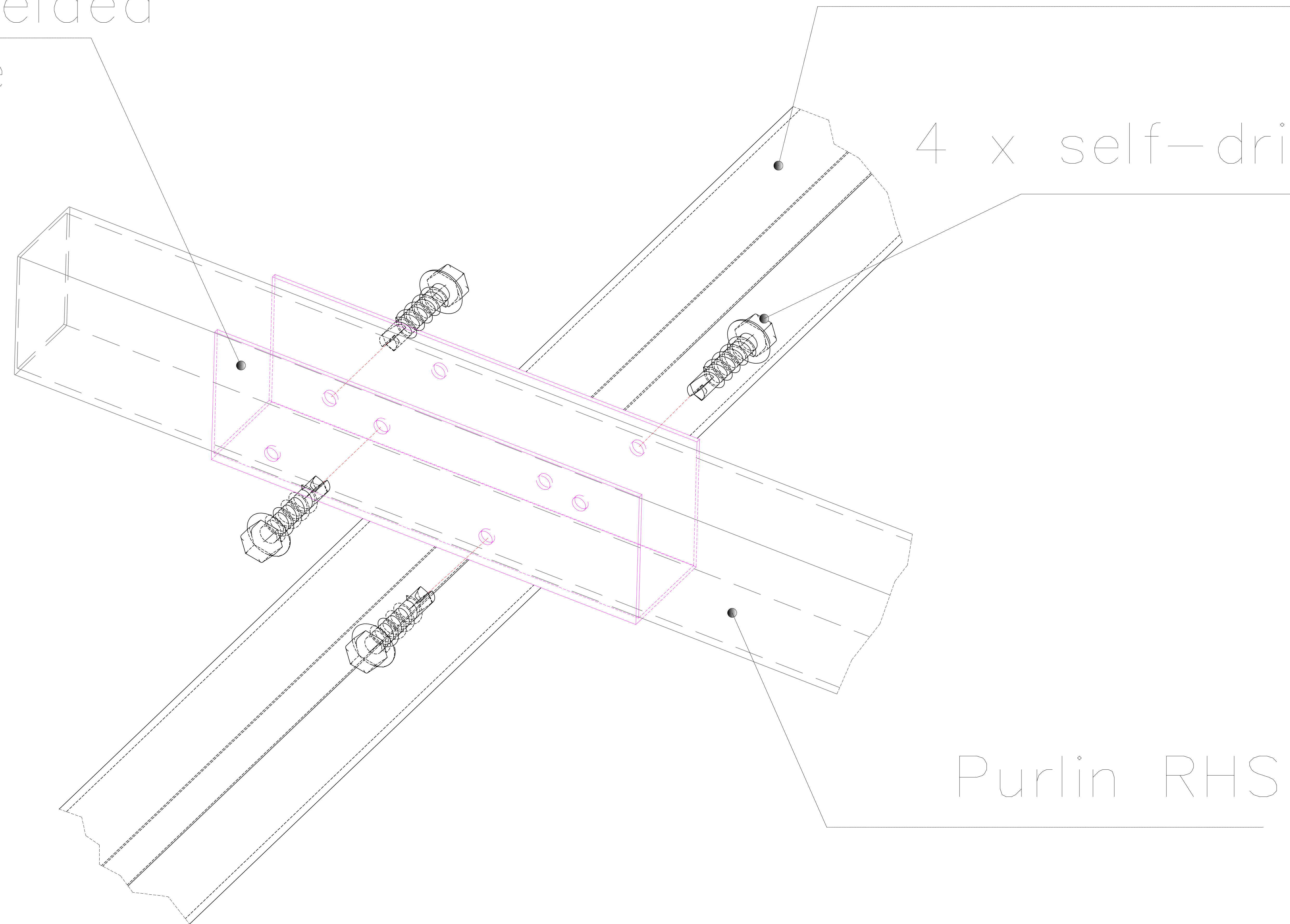
	NAME	DATE	Solelgrossisten Stock		
DRAWN	F.M	19/07/2023			
CHECKED			TITLE Insertion collars to fasten PV modules.		
 TreeSystem s.r.l. Via Moraro n°22, 35020, Pozzonovo (PD) Tel/fax +390429773082			SIZE	DWG N°:	REV
					3
SCALE:	WEIGHT:	SHEET			

DETAIL "A": INITIAL POSITIONS

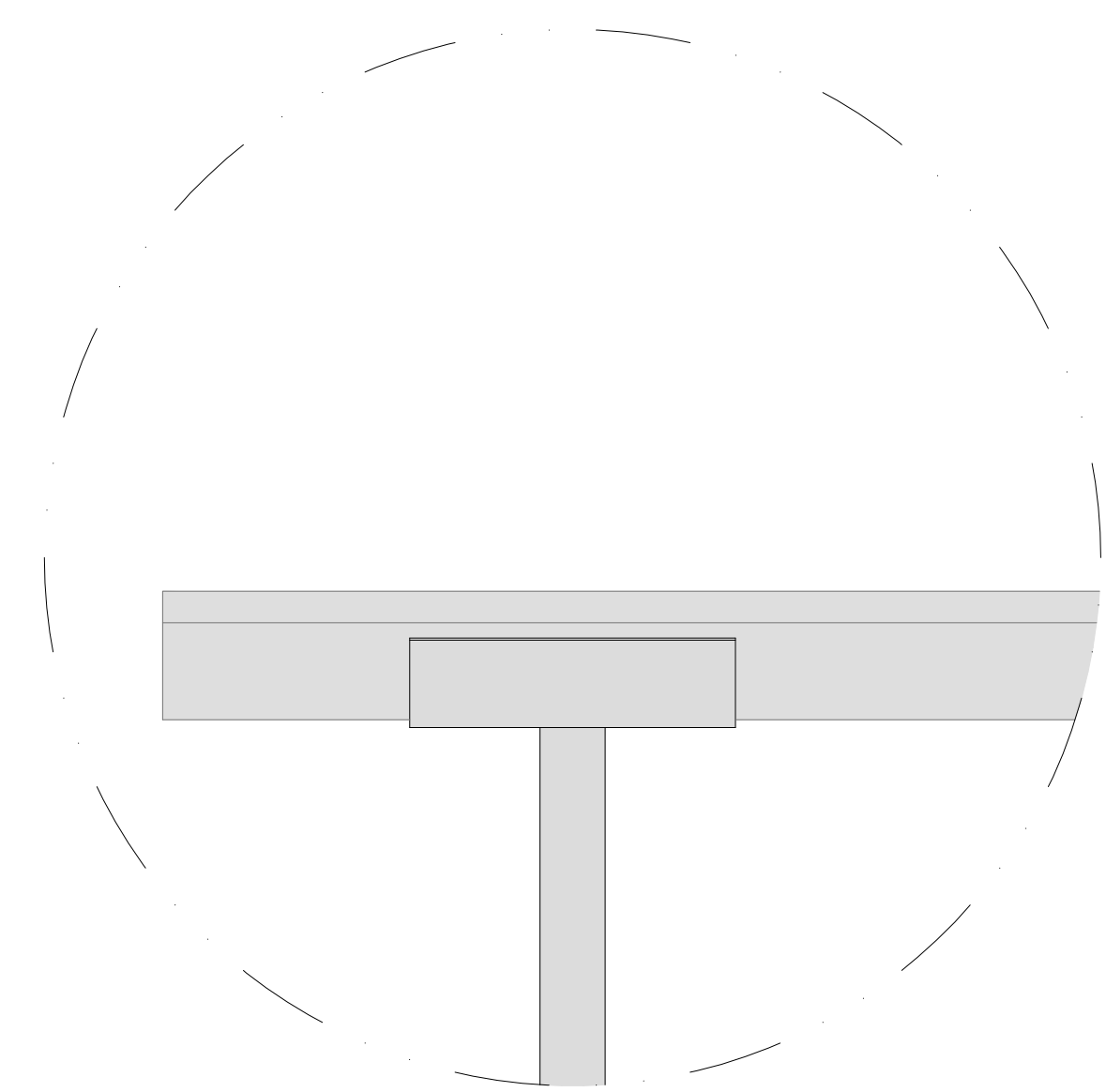
"U" profile welded to the frame

Frame RHS

4 x self-drilling screws




A



Purlin RHS

PERMITTED TIGHTENING TORQUE OF MAX 7-8 Nm.



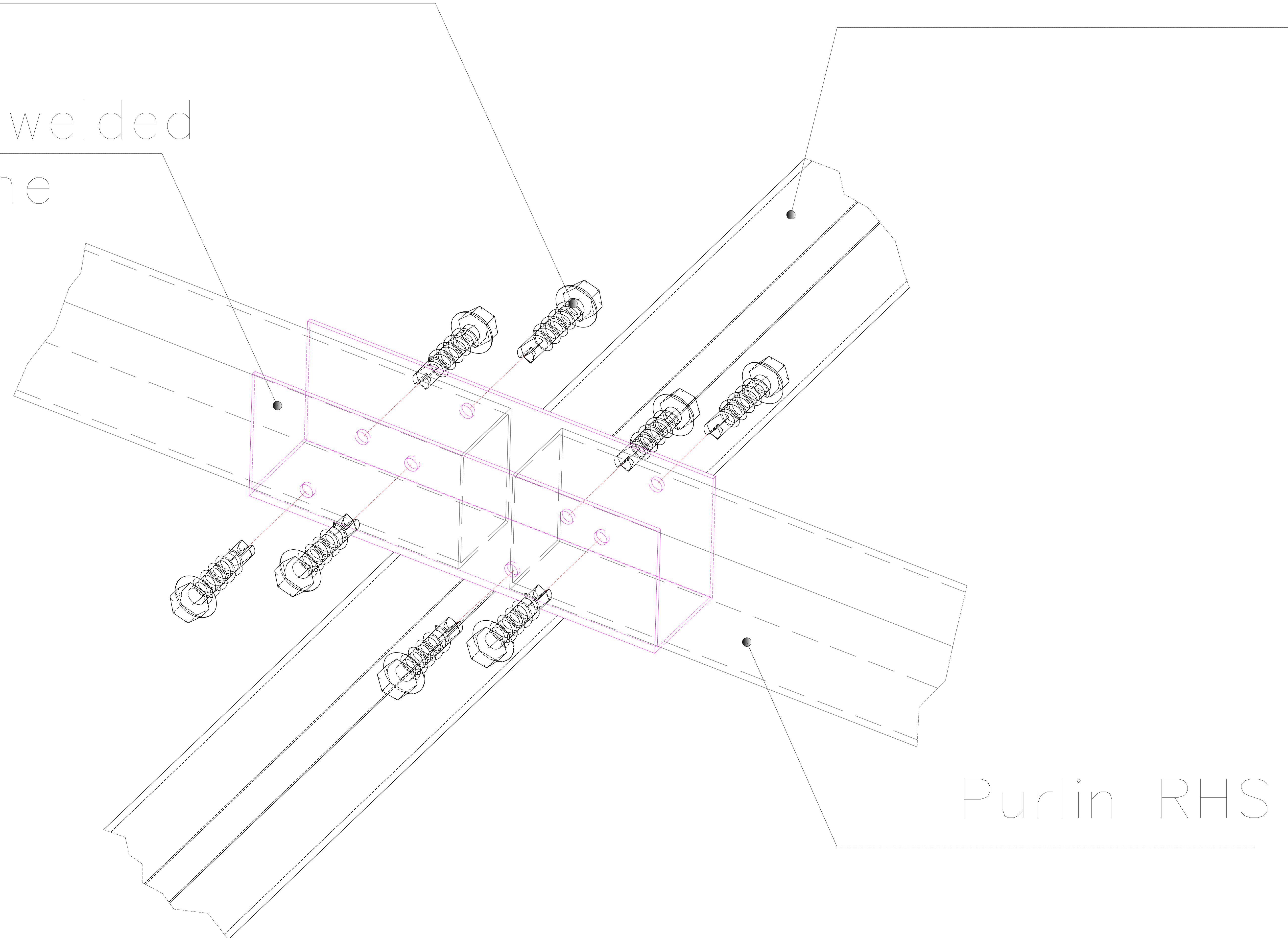
NAME	DATE	Solelgrossisten Stock	
DRAWN F.M	19/07/2023	TITLE Fastening horizontal profiles to the frames.	
CHECKED			
 TreeSystem s.r.l. Via Moraro n°22, 35020, Pozzonovo (PD) Tel/fax +390429773082		SIZE DWG N°:	REV
		4	
SCALE:	WEIGHT:	SHEET	

DETAIL "B": TÊTE-à-TÊTE POSITIONS

8 x self-drilling screws

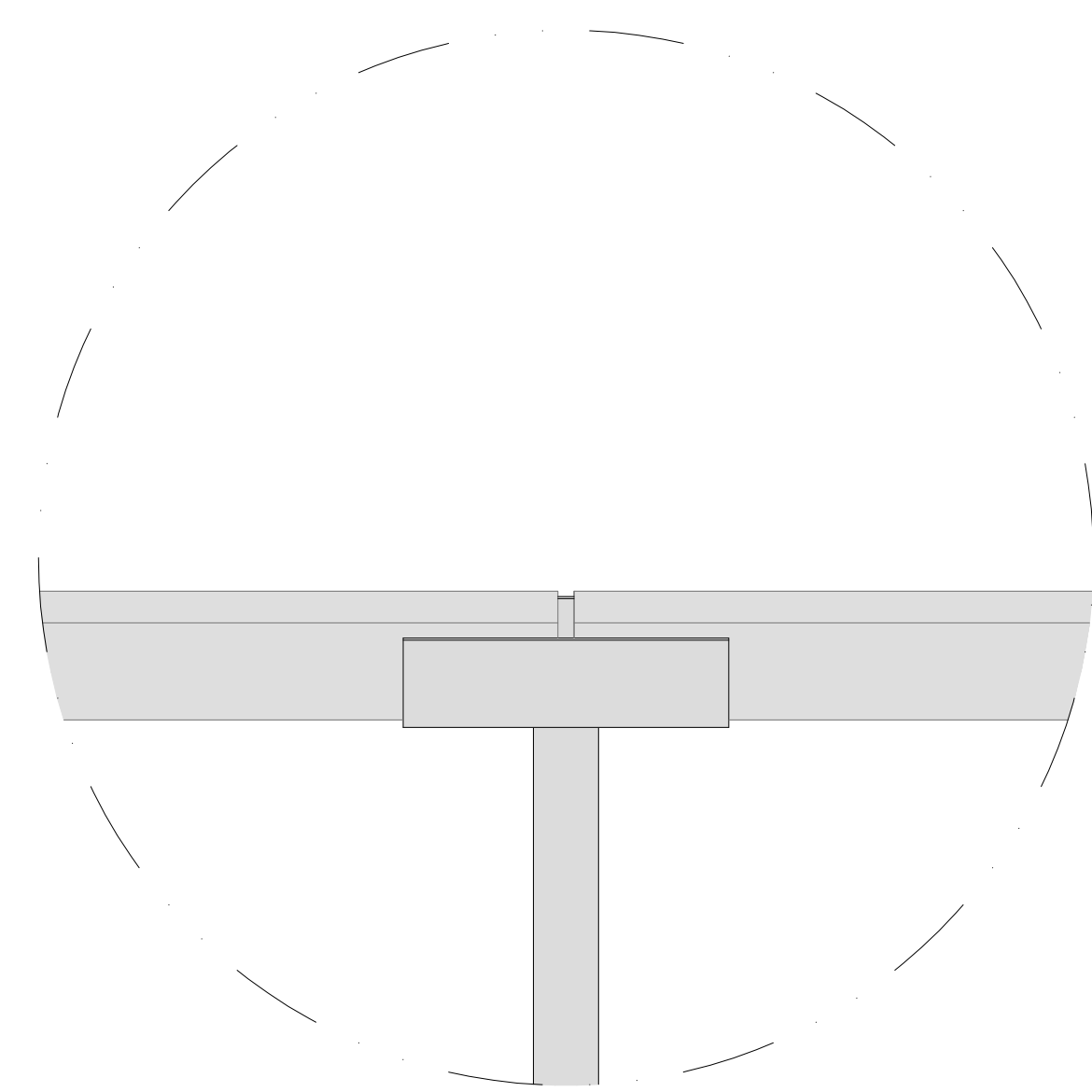
Frame RHS

"U" profile welded to the frame



Purlin RHS

B



PERMITTED TIGHTENING TORQUE OF MAX 7-8 Nm.



DRAWN	NAME	DATE	Solelgrossisten Stock		
CHECKED	F.M	19/07/2023	TITLE Fastening horizontal profiles to the frames.		
			SIZE	DWG N°: 5	REV
			SCALE:	WEIGHT:	SHEET

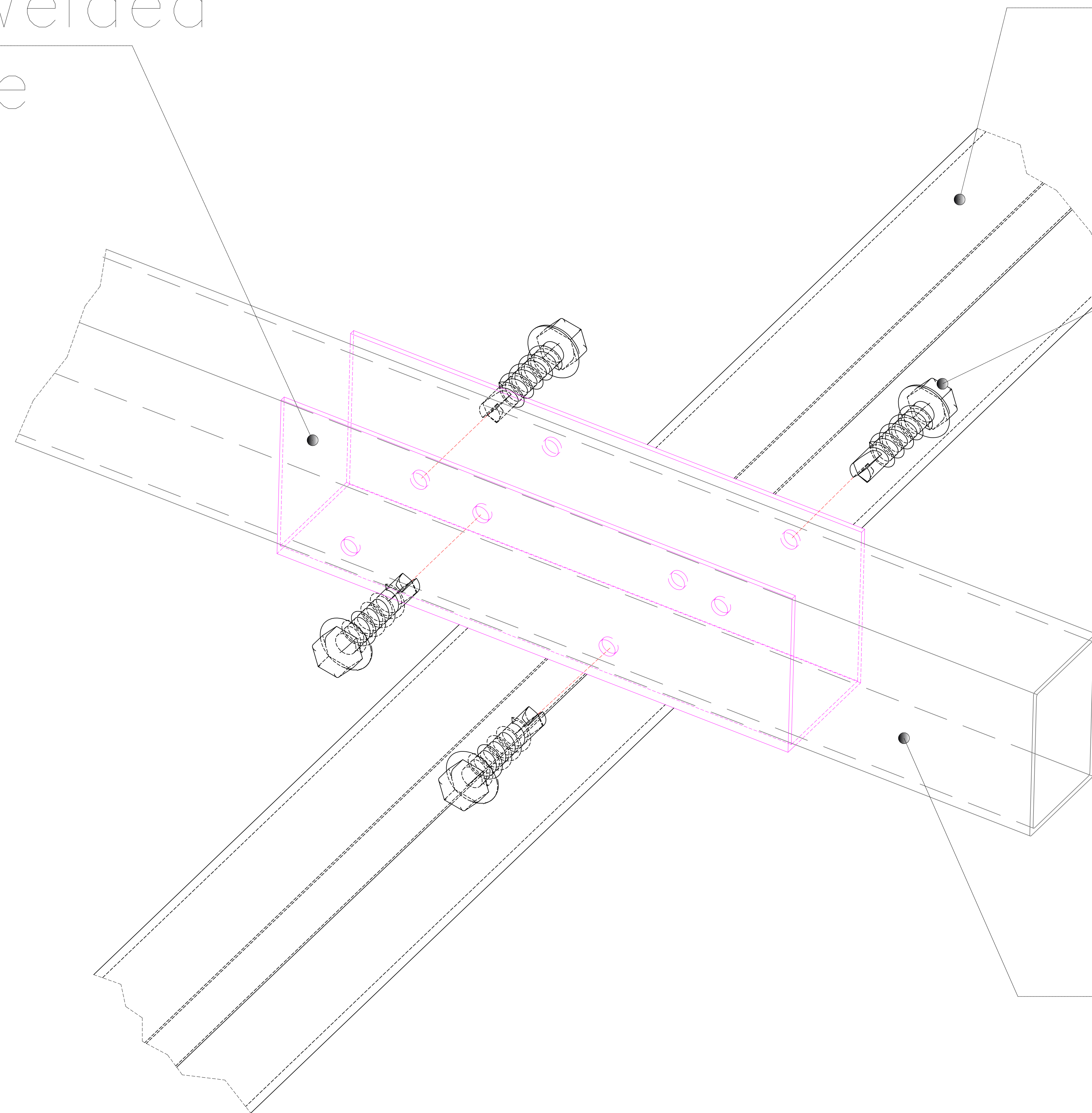
TREE SYSTEM
TreeSystem s.r.l.
Via Moraro n°22, 35020, Pozzonovo (PD)
Tel/fax +390429773082

DETAIL "C": FINAL POSITIONS

"U" profile welded to the frame

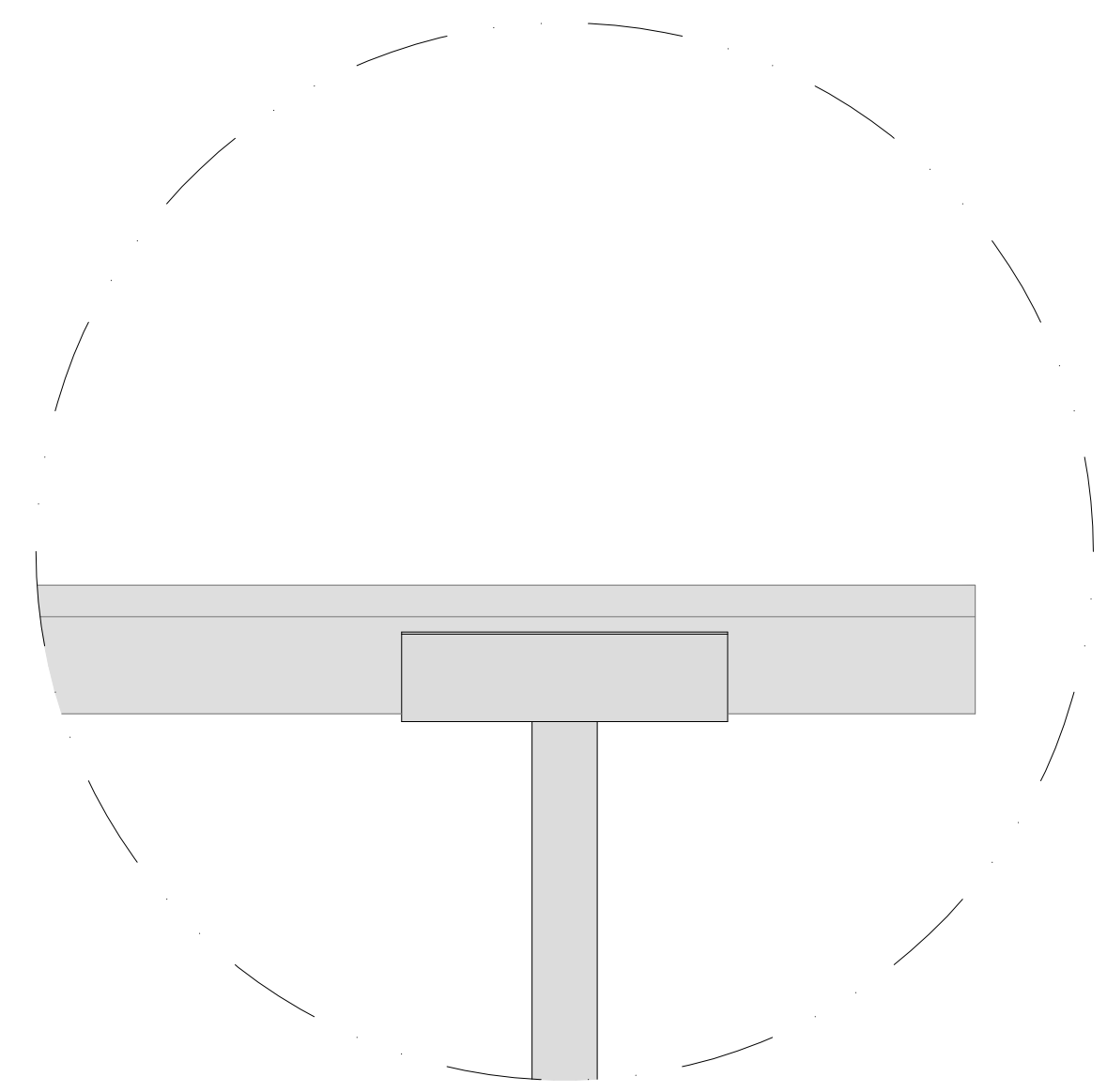
Frame RHS

4 x self-drilling screws




Purlin RHS

C

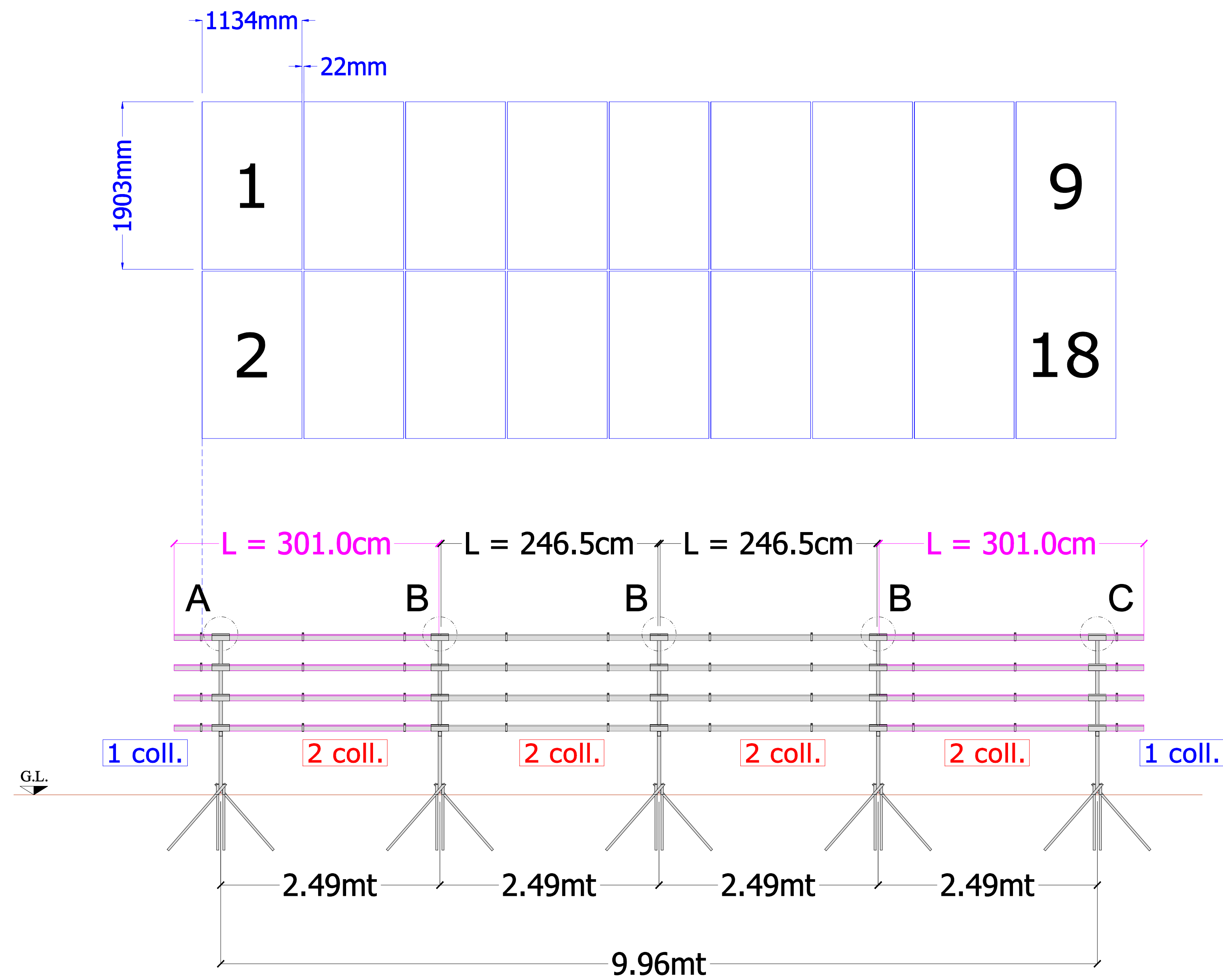
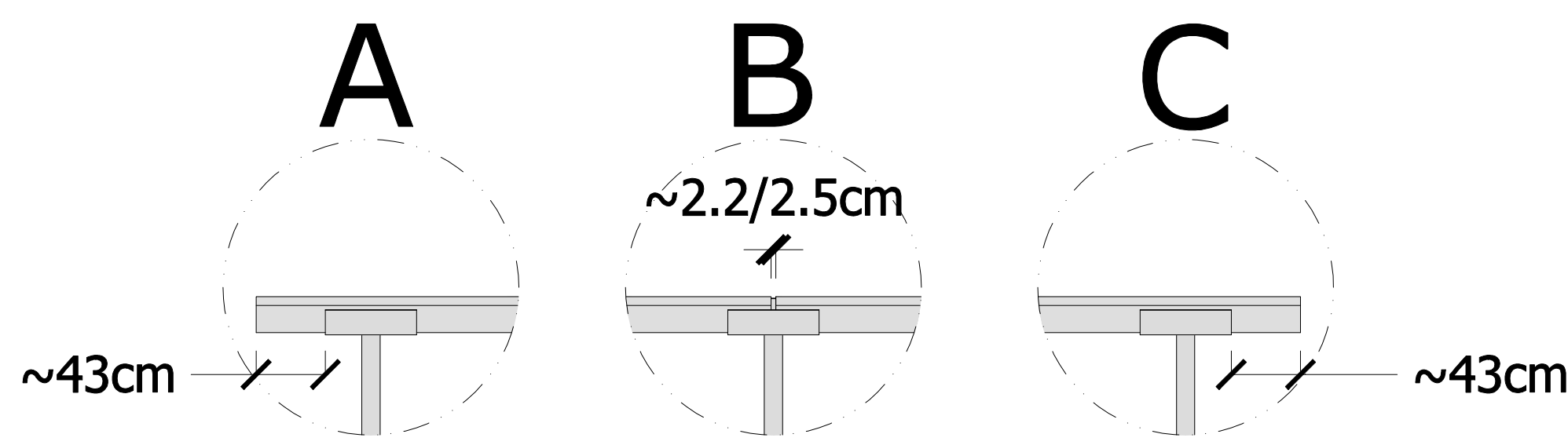


PERMITTED TIGHTENING TORQUE OF MAX 7-8 Nm.



NAME	DATE	Solelgrossisten Stock	
DRAWN F.M	19/07/2023	TITLE Fastening horizontal profiles to the frames.	
CHECKED			
 TreeSystem s.r.l. Via Moraro n°22, 35020, Pozzonovo (PD) Tel/fax +390429773082		SIZE DWG N°:	REV
		SCALE:	WEIGHT:

6



For each rack, it is required:

- 5 FRAMEWORKS 35°;
- 8 PURLINS L=301cm;
- 8 PURLINS L=246.5cm;
- 40 COLLARS.

DO NOT CUT THE HORIZONTAL PROFILES FOR ANY REASONS, SINCE THEY ARE ALREADY CUT ON SIZE.

Tipology of rack: **9+9**

Complete package with mounting material for ground installation based on 2 rows of 9 solar panels with dimensions 1903 x 1134 x 30 mm. Portrait orientation, 35° tilt.

The 2x9 package is based on the ZXM7-UHLDD120 Bifacial 460W which measures 1903mm in height and 1134mm in width.

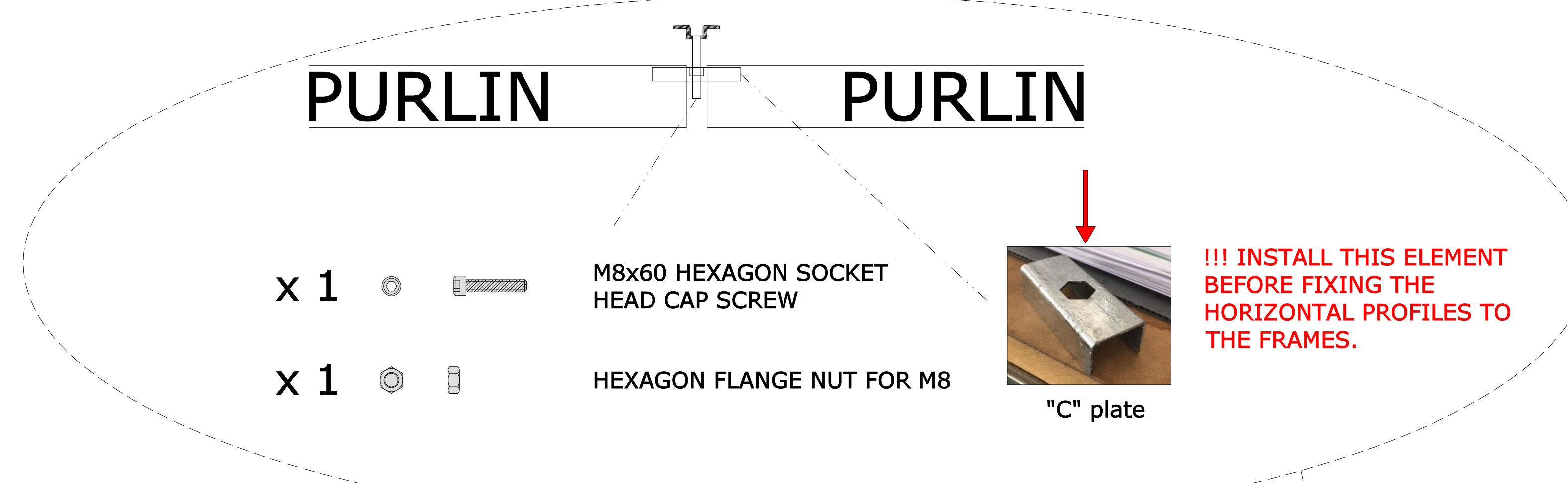
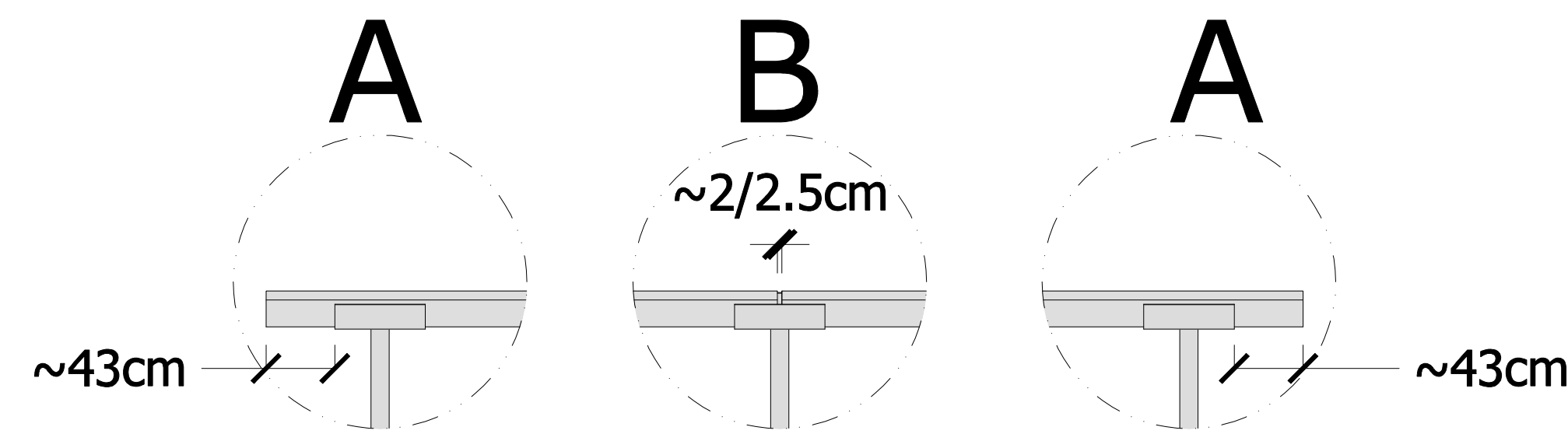
It is possible to use 72/144 cell panels with height measurements between 1900 - 2100 mm.

It is possible to use 72/144 cell panels with a different width measurement, resulting in fewer panels/row.

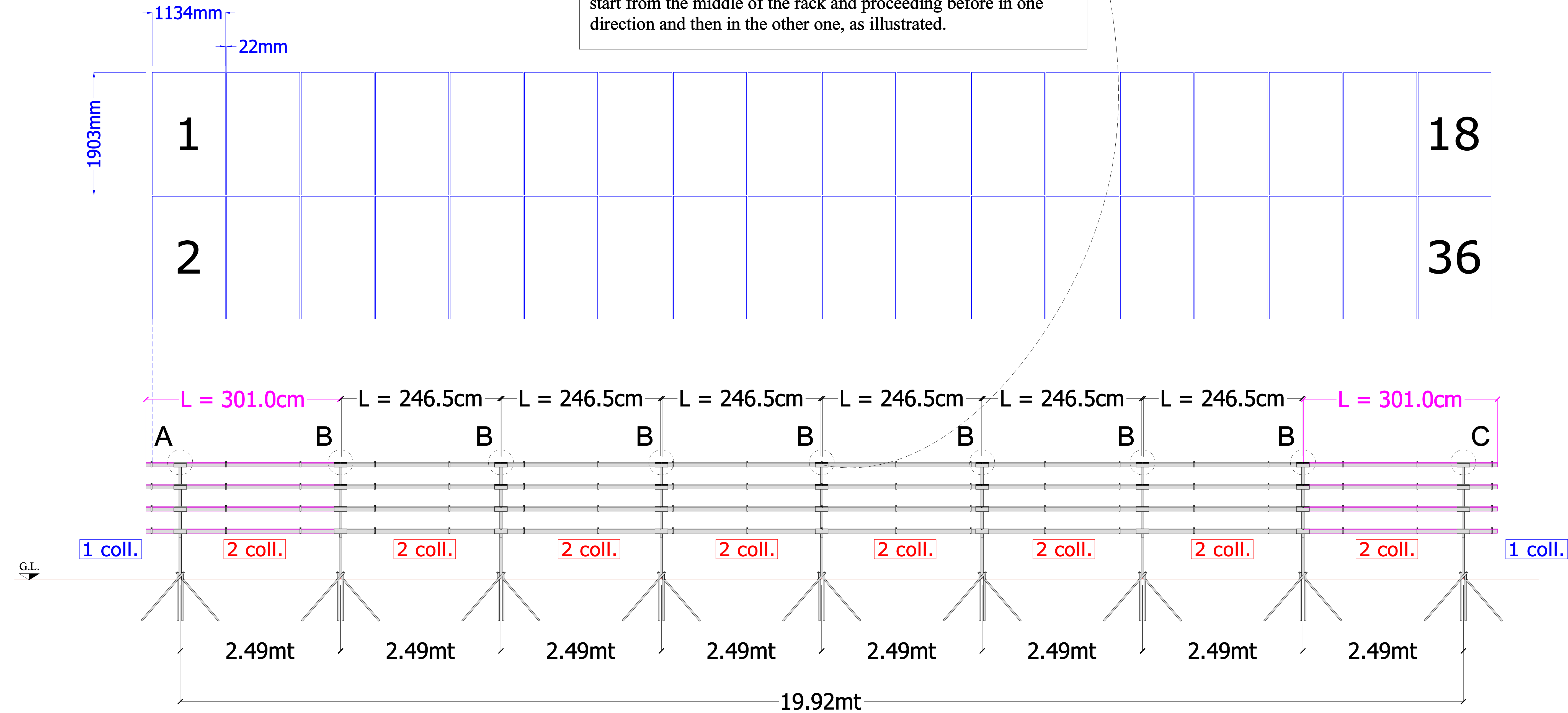
	NAME	DATE		
DRAWN	F.M	19/07/2023	Solelgrossisten Stock	
CHECKED				
			TITLE	
			Layout Racks.	
SIZE	DWG N°: 7		REV	
SCALE:	WEIGHT:	SHEET		



TreeSystem s.r.l.
Via Moraro n°22, 35020, Pozzonovo (PD)
Tel/fax +390429773082



Starting point: for a correct installation of PV modules, you should start from the middle of the rack and proceeding before in one direction and then in the other one, as illustrated.



- For each rack, it is required:
- 9 FRAMEWORKS 35°;
 - 8 PURLINS L=301cm;
 - 24 PURLINS L=246.5cm;
 - 72 COLLARS;
 - 4 "C" PLATES.
- DO NOT CUT THE HORIZONTAL PROFILES FOR ANY REASONS, SINCE THEY ARE ALREADY CUT ON SIZE.**


Tipology of rack: **18+18**

Complete package with mounting material for ground installation based on 2 rows of 9 solar panels with dimensions 1903 x 1134 x 30 mm. Portrait orientation, 35° tilt.

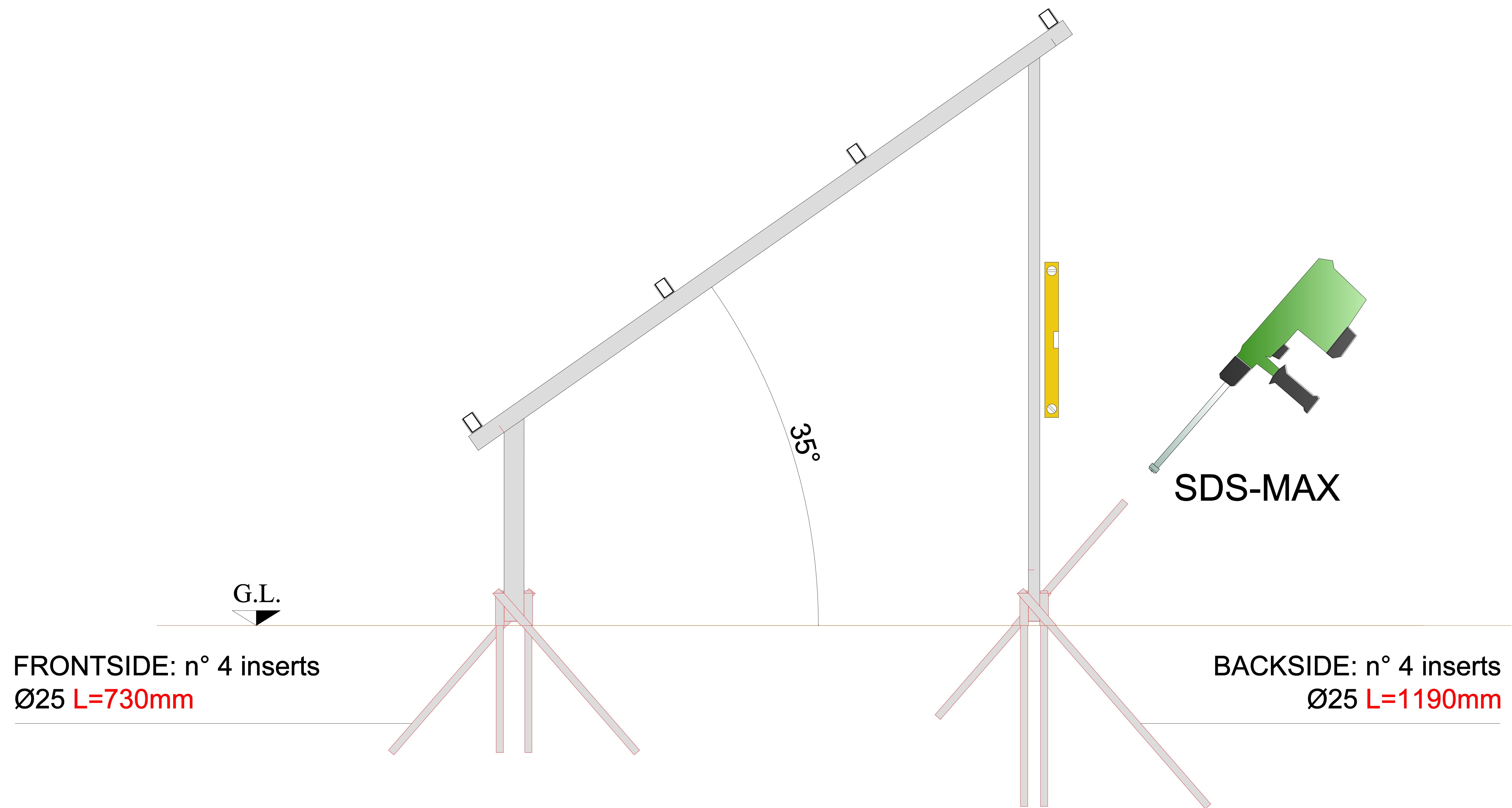
The 2x18 package is based on the ZXM7-UHLDD120 Bifacial 460W which measures 1903mm in height and 1134mm in width.

It is possible to use 72/144 cell panels with height measurements between 1900 - 2100 mm.

It is possible to use 72/144 cell panels with a different width measurement, resulting in fewer panels/row.

	NAME	DATE	Solelgrossisten Stock			
DRAWN	F.M	19/07/2023				
CHECKED			TITLE Layout Racks.			
 TreeSystem s.r.l. Via Moraro n°22, 35020, Pozzonovo (PD) Tel/fax +390429773082			SIZE	DWG N°:	8	REV
			SCALE:	WEIGHT:		SHEET

PAY ATTENTION TO THE DIFFERENT LENGTH OF THE INSERTS.



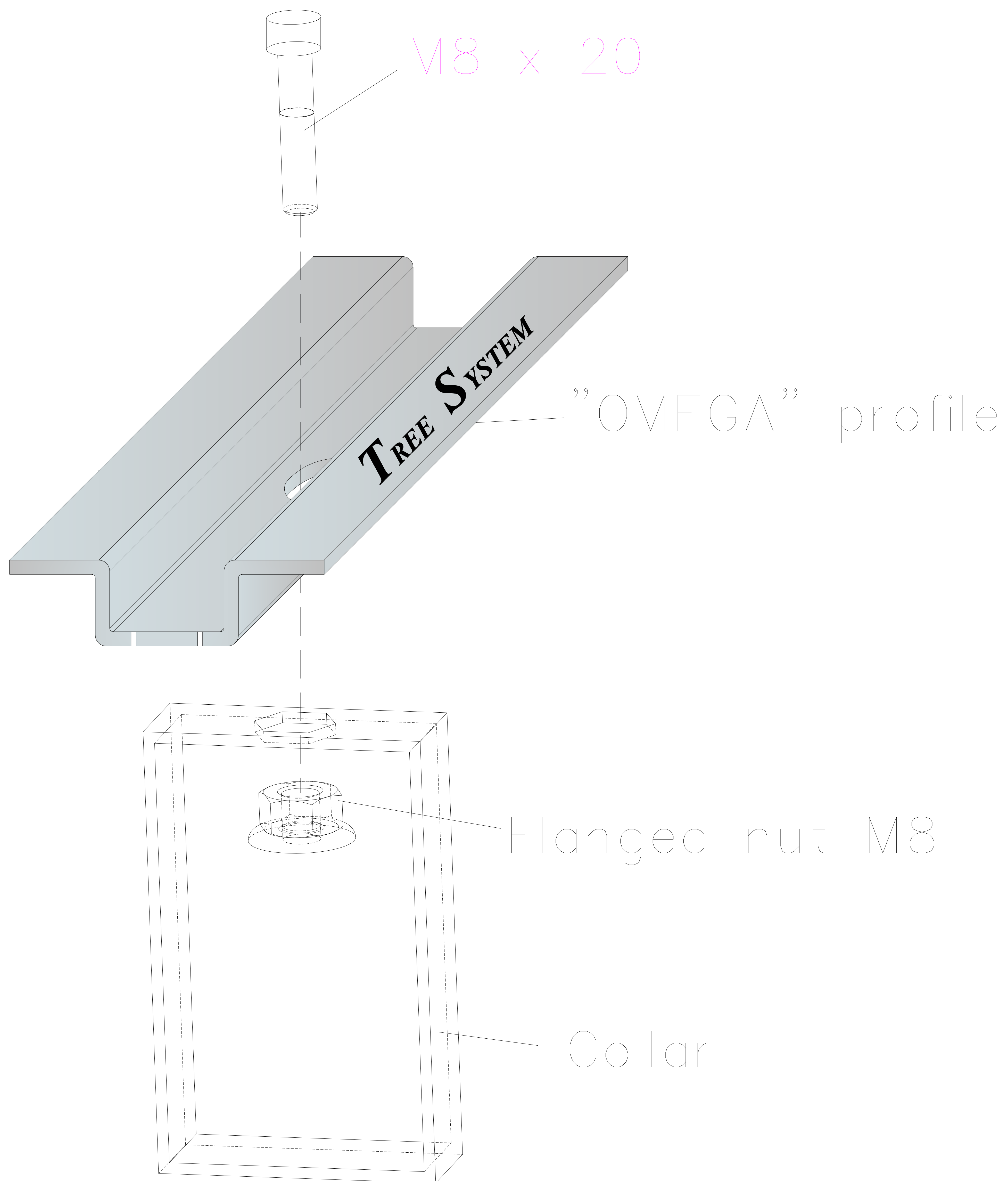
Driving-in the inserts to the ground through guides placed at the base of the frames, using a jack-hammer with SDS-MAX attack for tool, only when all the structure is installed and it has checked that the spirit level giving the transverse orientation of the structure indicates the horizontal.

IN CASE OF DAMAGING OF THE COATING DURING THE INSTALLATION, BE CAREFUL TO REPAIR IT PROMPTLY.

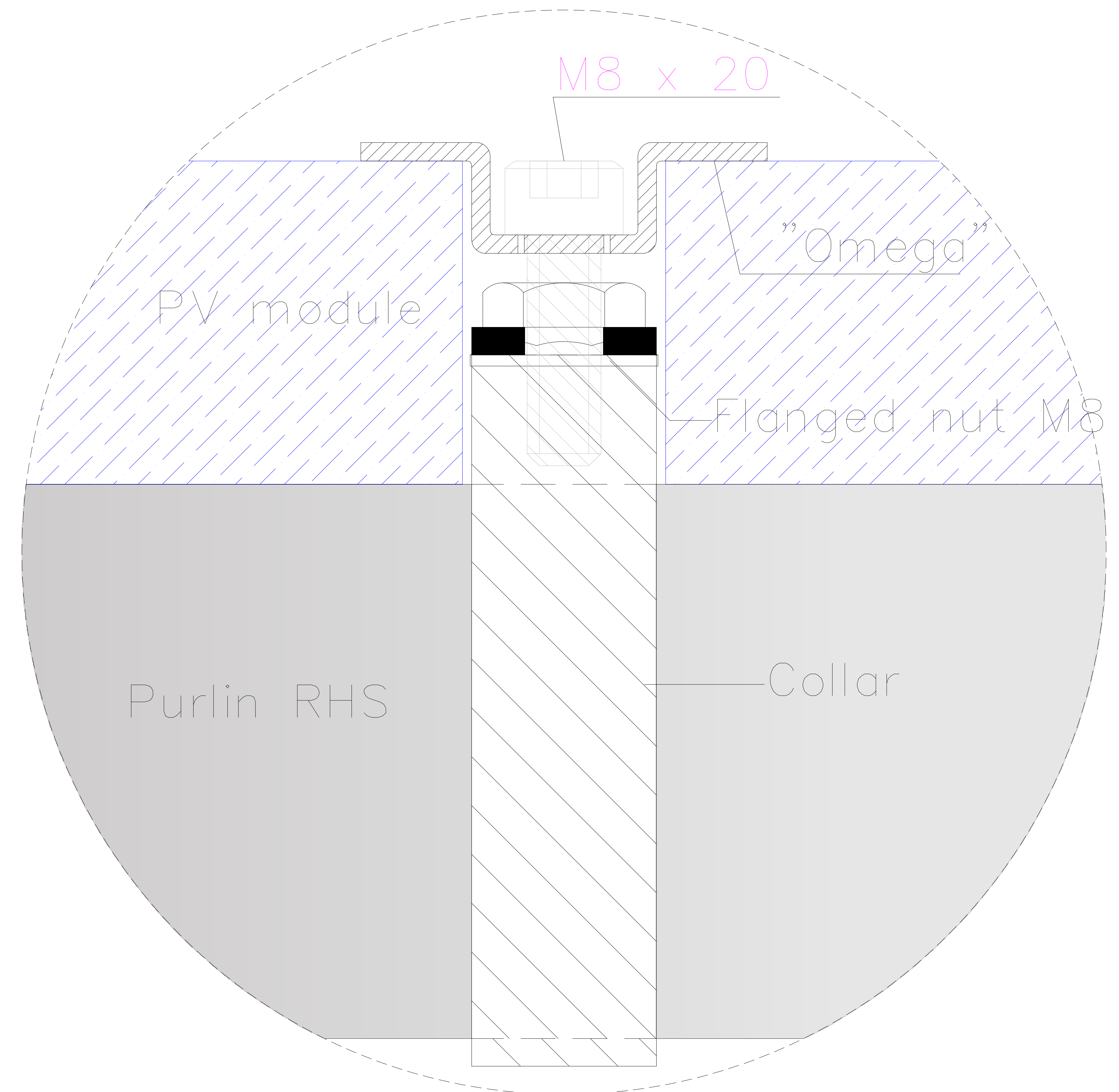
	NAME	DATE	Solelgrossisten Stock	
DRAWN	F.M	19/07/2023		
CHECKED				
			TITLE	
			Anchoring the structure to the ground.	
SIZE	DWG N°:		9	REV
SCALE:	WEIGHT:	SHEET		



TreeSystem s.r.l.
Via Moraro n°22, 35020, Pozzonovo (PD)
Tel/fax +390429773082



DETAIL "D"



PERMITTED TIGHTENING TORQUE OF MAX 10 Nm (to be verified with the prescriptions of the module manufacturer).

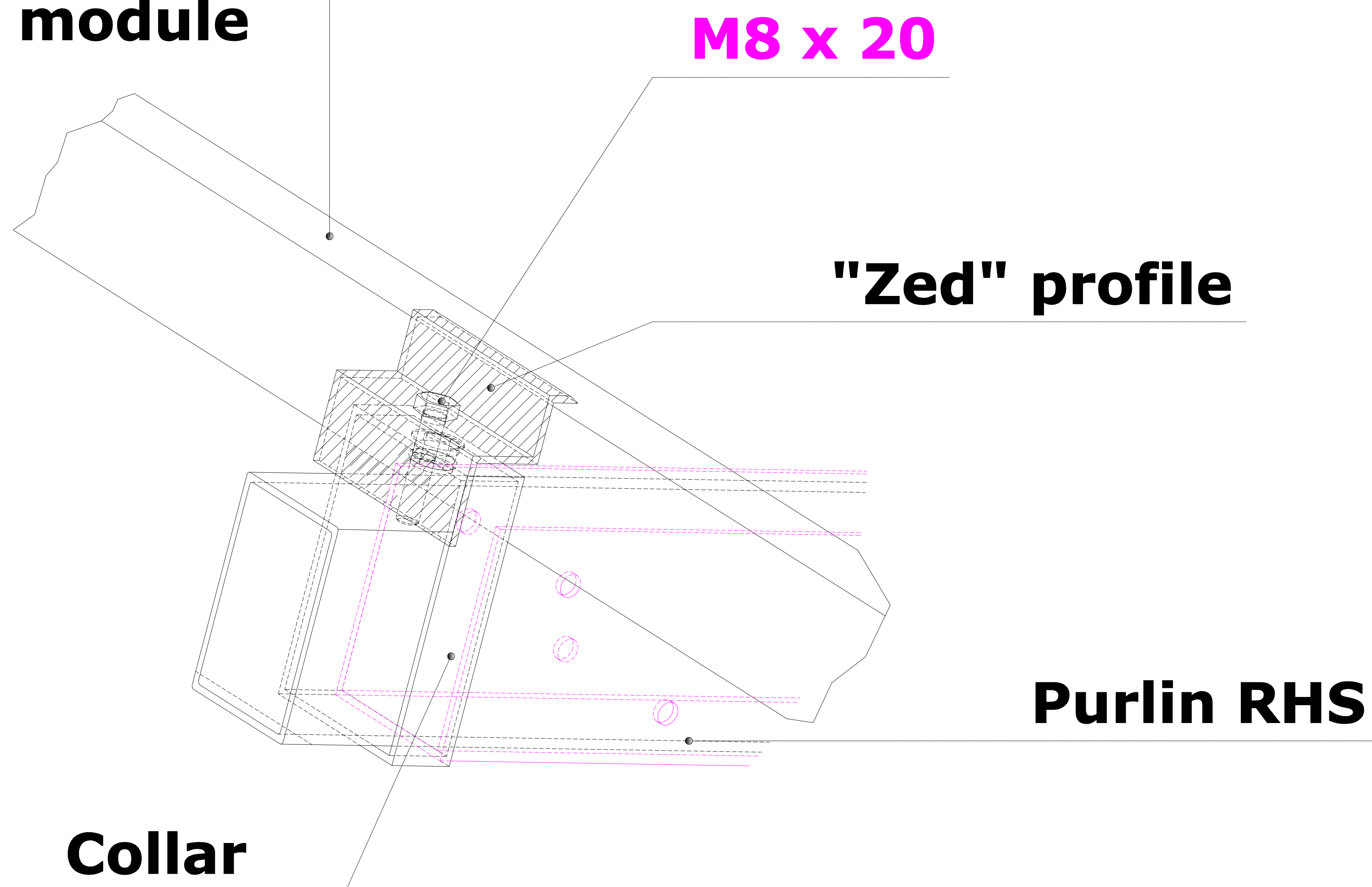


		NAME	DATE		
DRAWN		F.M	19/07/2023	Solelgrossisten Stock	
CHECKED					
			TITLE Fastening for photovoltaic modules.		
SIZE	DWG N°:	10		REV	
SCALE:	WEIGHT:	SHEET			

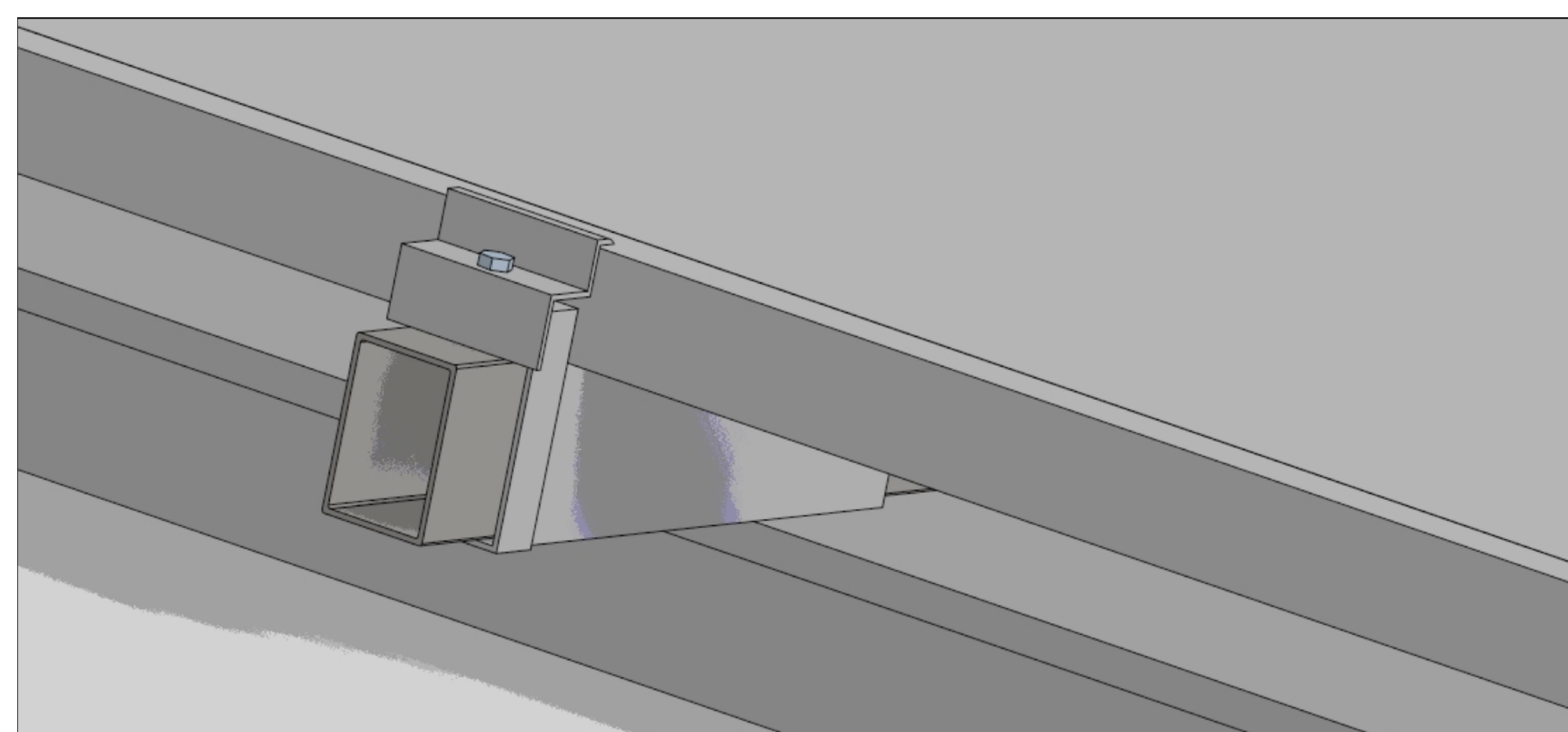
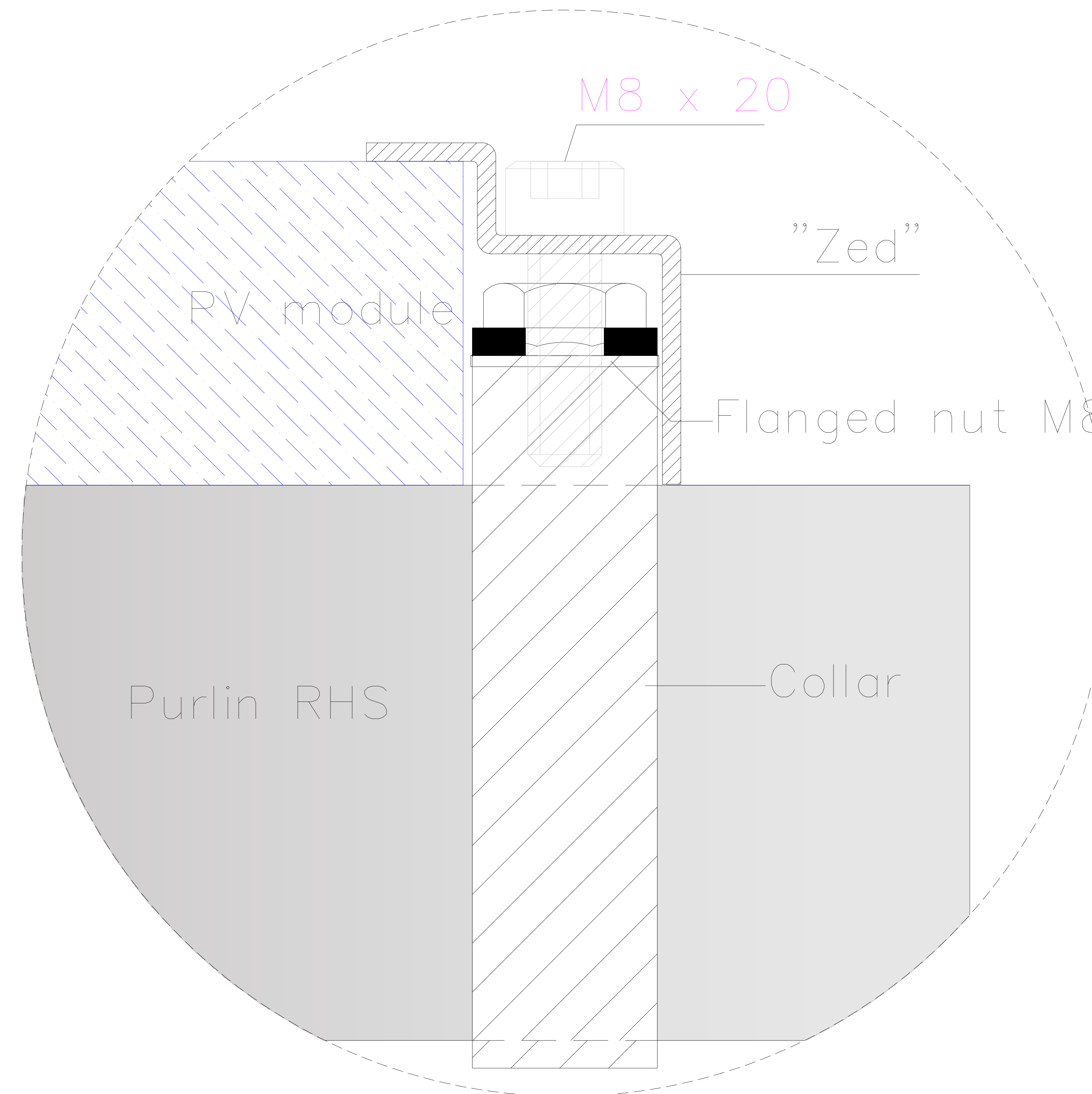


TreeSystem s.r.l.
Via Moraro n°22, 35020, Pozzonovo (PD)
Tel/fax +390429773082

Abutment of the module




DETAIL "E"



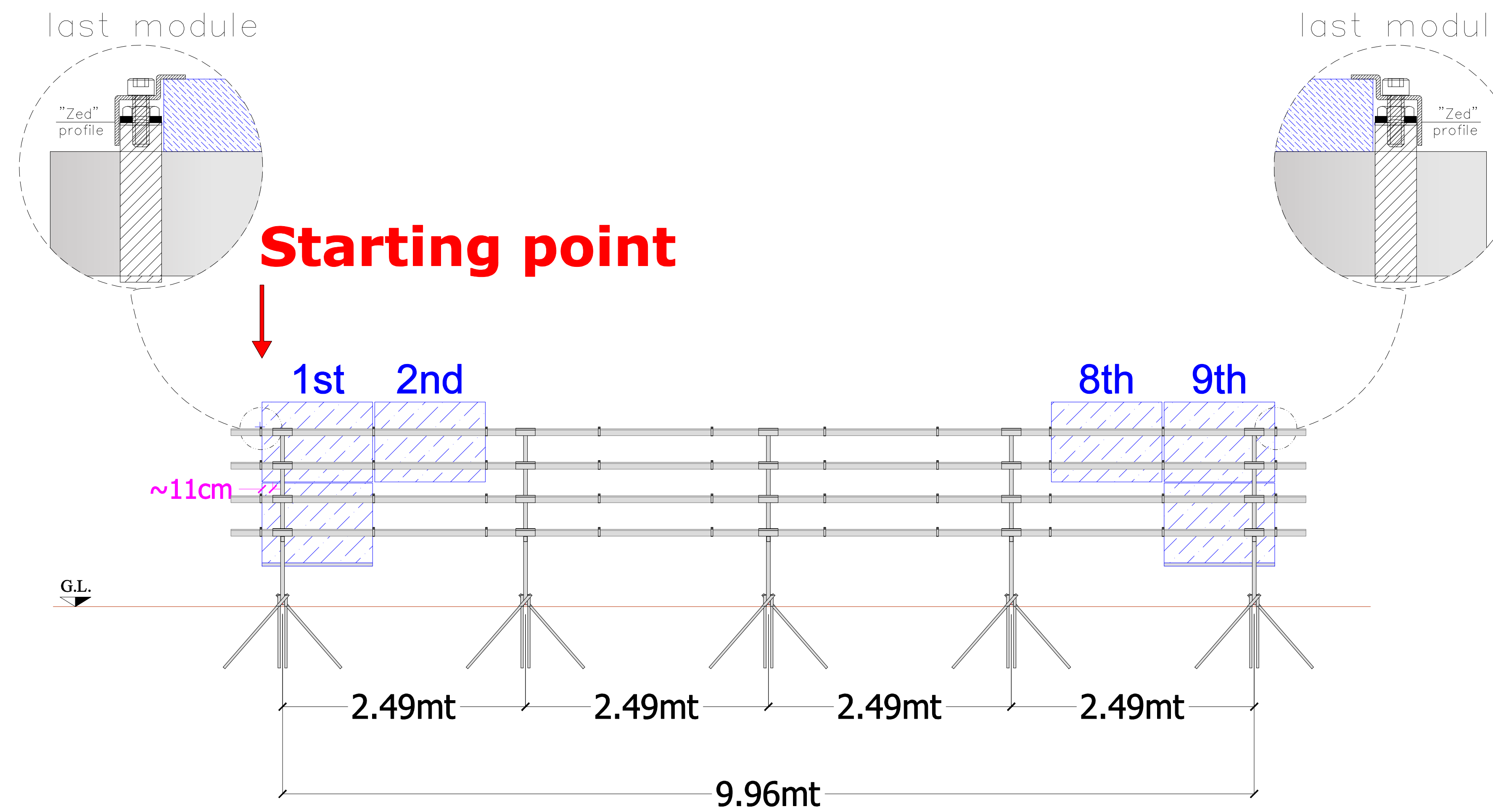
PERMITTED TIGHTENING TORQUE OF MAX 10 Nm (to be verified with the prescriptions of the module manufacturer).



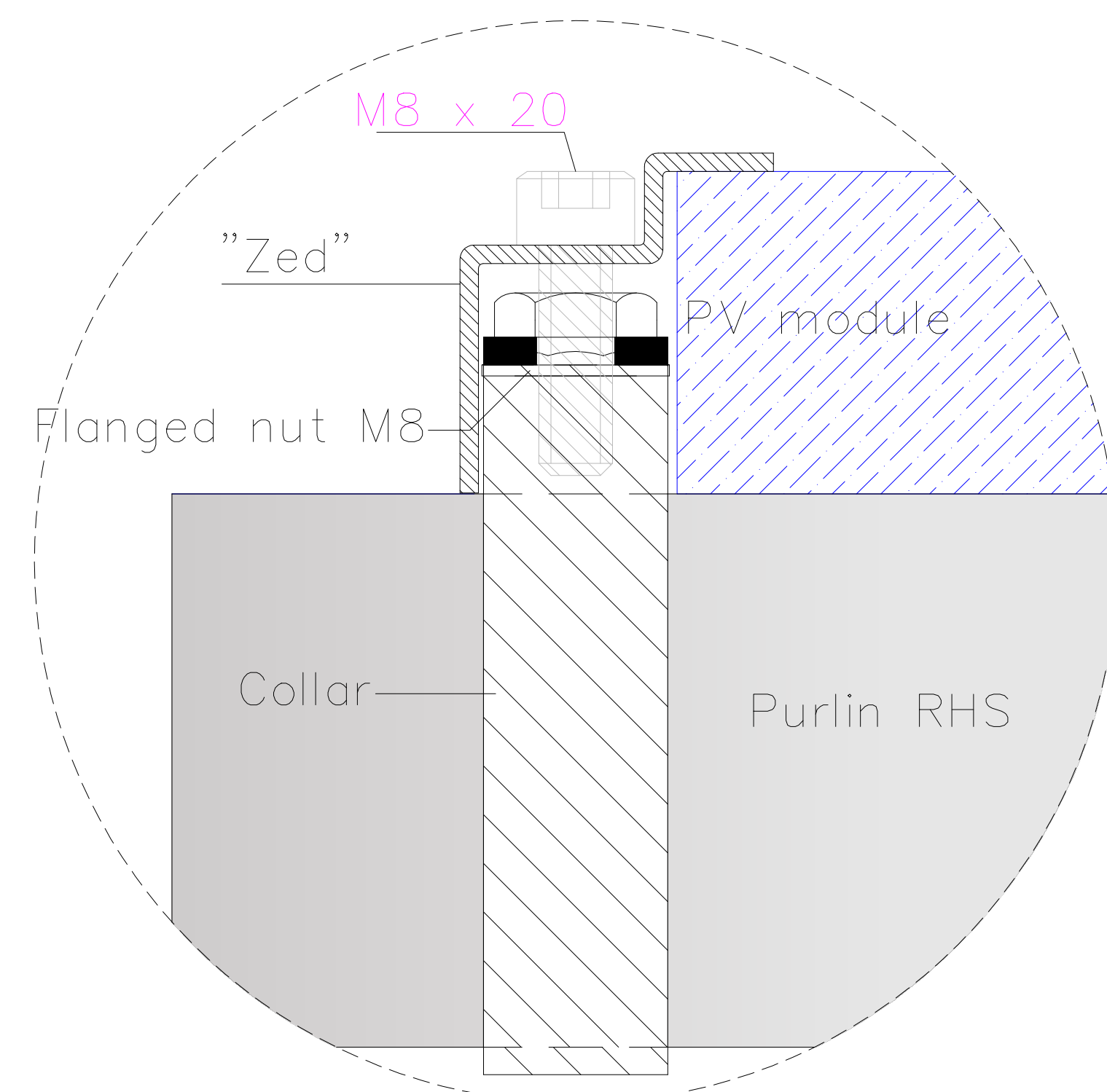
NAME	DATE	Solelgrossisten Stock		
DRAWN F.M	19/07/2023	TITLE Fastening for photovoltaic modules.		
CHECKED				
 TreeSystem s.r.l. Via Moraro n°22, 35020, Pozzonovo (PD) Tel/fax +390429773082		SIZE	DWG N°: 11	REV
		SCALE:	WEIGHT:	SHEET

Tipology of rack: 9+9


Starting point: for a correct installation of PV modules, you should start from the red point, keeping the first PV module of the row at about 11cm from the left edge of the "U" profile welded on the first framework and going ahead to the right, as illustrated.



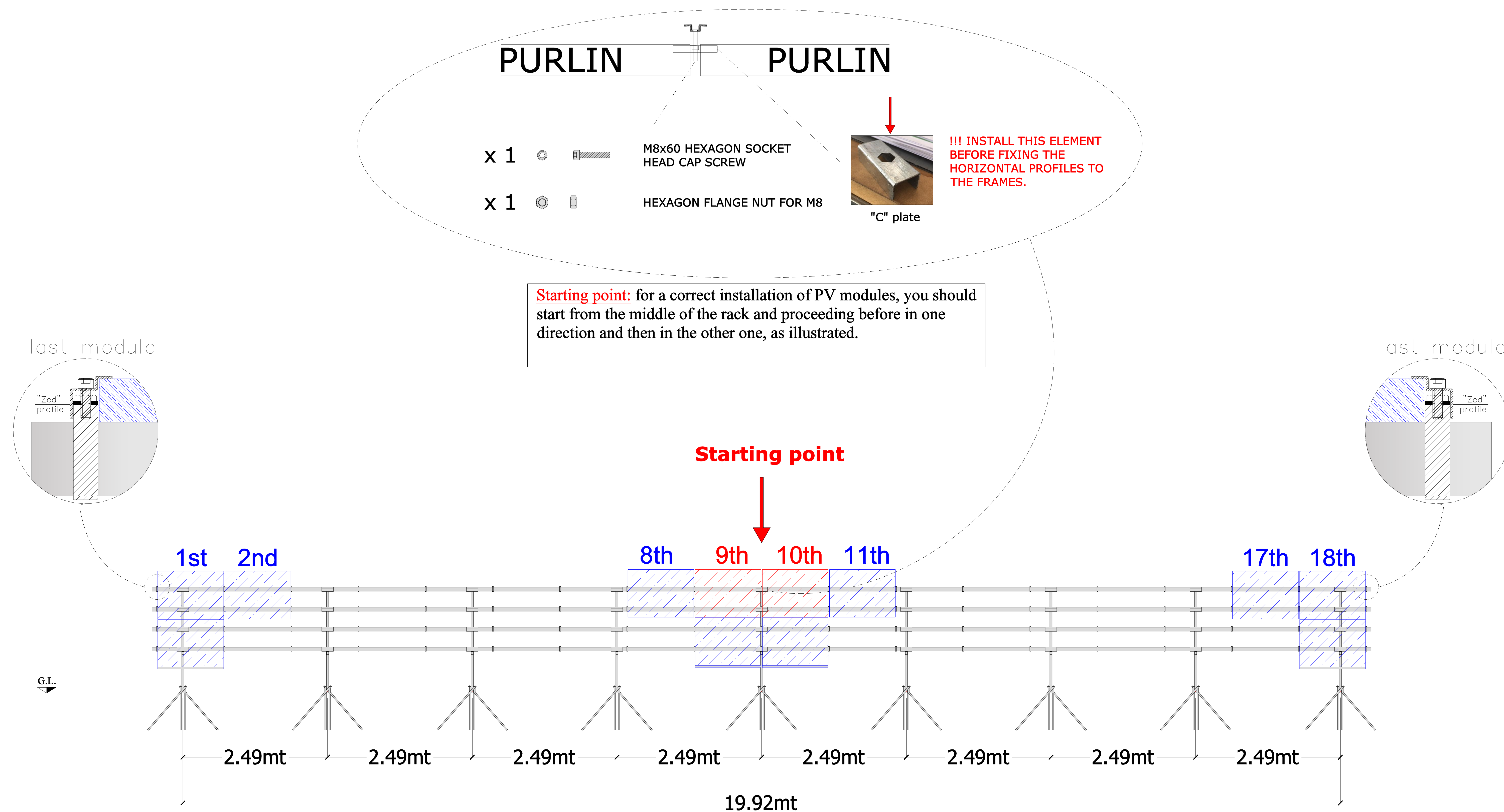
DETAIL "E"



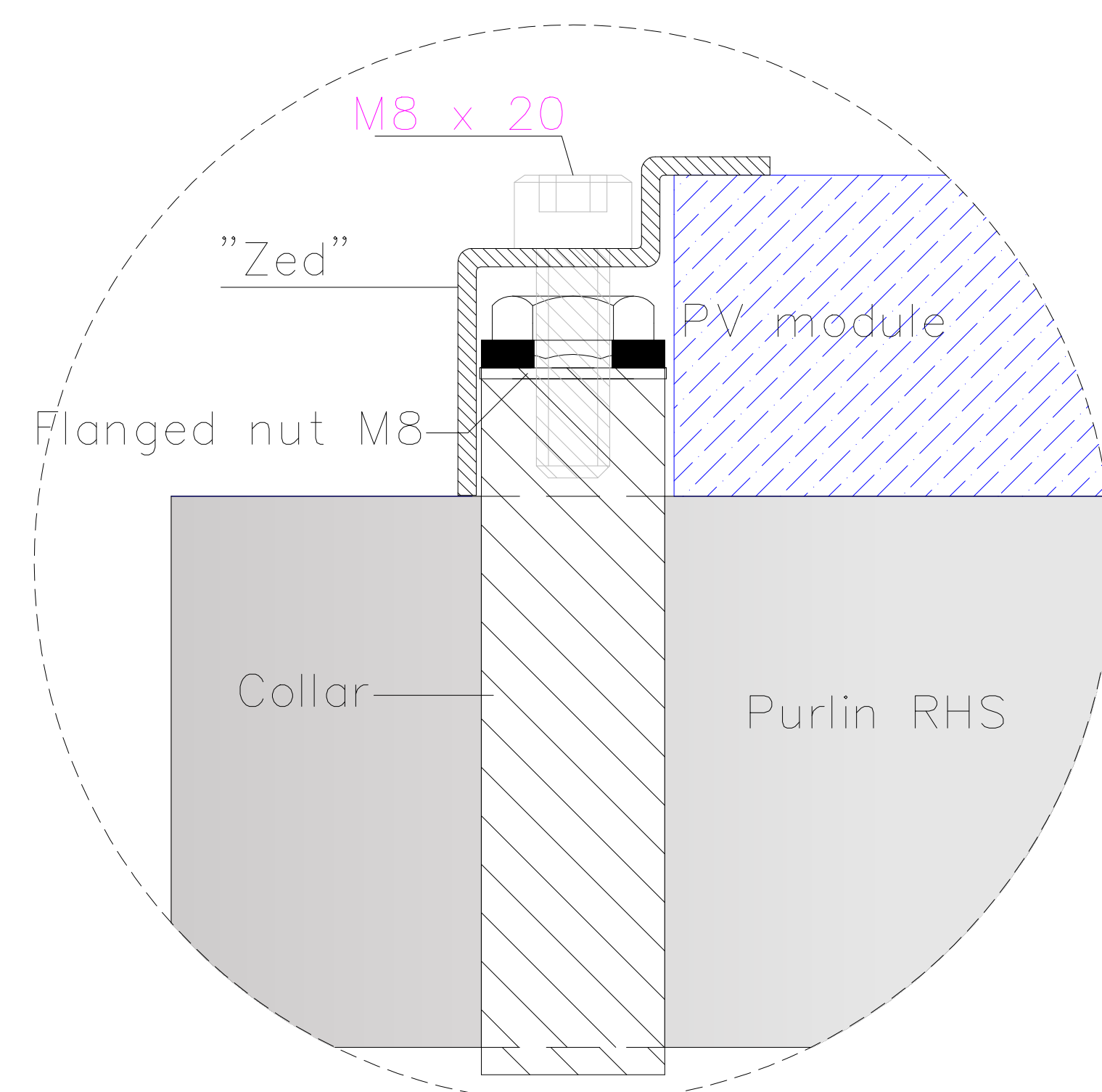
PERMITTED TIGHTENING TORQUE OF MAX 10 Nm (to be verified with the prescriptions of the module manufacturer).

	NAME	DATE	Solelgrossisten Stock		
DRAWN	F.M	19/07/2023	TITLE Fastening for photovoltaic modules.		
CHECKED					
 TreeSystem s.r.l. Via Moraro n°22, 35020, Pozzonovo (PD) Tel/fax +390429773082			SIZE	DWG N°: 12	REV
			SCALE:	WEIGHT:	SHEET

Tipology of rack: **18+18**



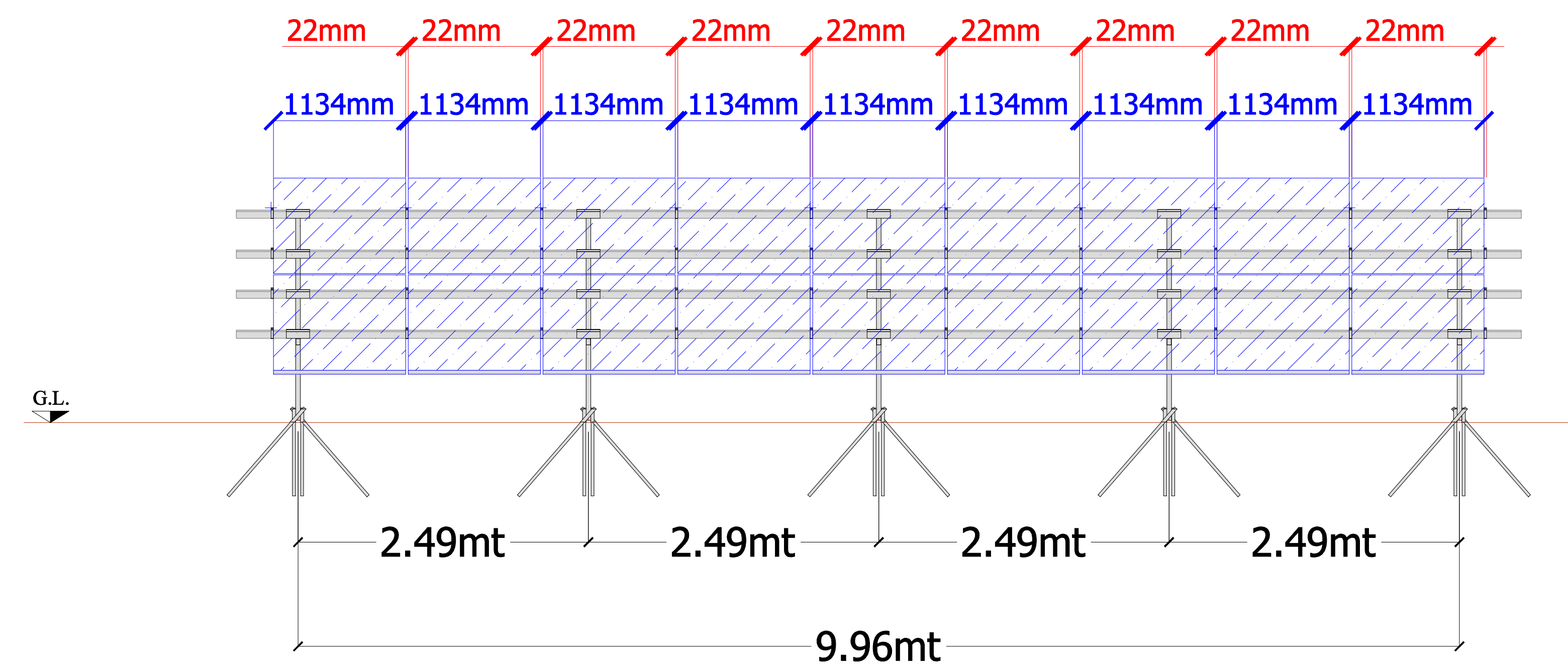
DETAIL "E"




PERMITTED TIGHTENING TORQUE OF MAX 10 Nm (to be verified with the prescriptions of the module manufacturer).

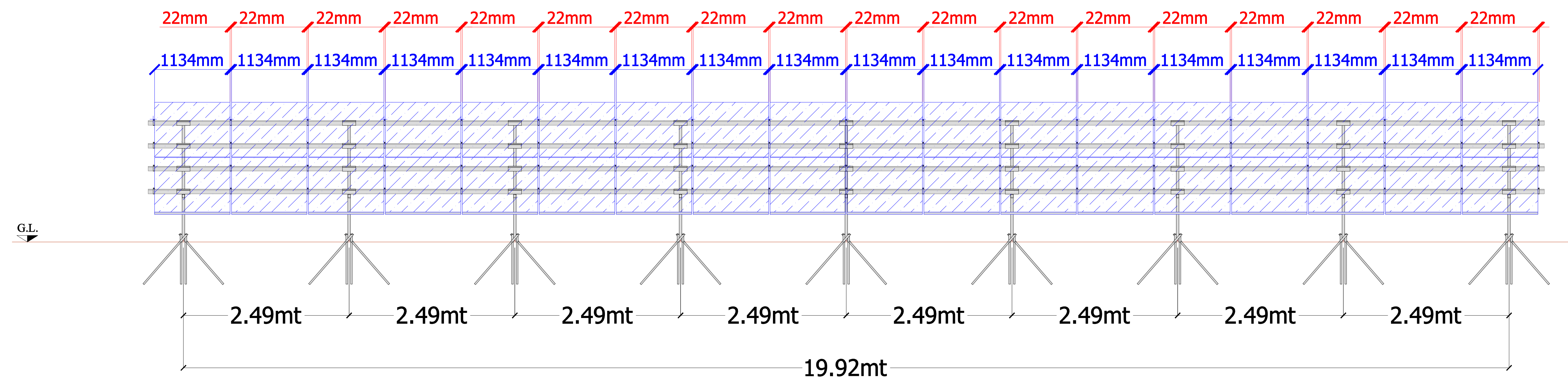
	NAME	DATE	Solelgrossisten Stock		
DRAWN	F.M	19/07/2023	TITLE Fastening for photovoltaic modules.		
CHECKED					
 TreeSystem s.r.l. Via Moraro n°22, 35020, Pozzonovo (PD) Tel/fax +390429773082			SIZE	DWG N°: 13	REV
			SCALE:	WEIGHT:	SHEET

Tipology of rack: 9+9



DRAWN	NAME	DATE	TITLE	
	F.M	19/07/2023	Solelgrossisten Stock	
CHECKED			Final result.	
			SIZE	REV
 TreeSystem s.r.l. Via Moraro n°22, 35020, Pozzonovo (PD) Tel/fax +390429773082			DWG N°:	14
			SCALE:	WEIGHT:

Tipology of rack: **18+18**



		NAME	DATE		
DRAWN		F.M	19/07/2023	Solelgrossisten Stock	
CHECKED					
				TITLE Final result.	
SIZE	DWG N°:	15		REV	
SCALE:	WEIGHT:	SHEET			



TreeSystem s.r.l.
Via Moraro n°22, 35020, Pozzonovo (PD)
Tel/fax +390429773082